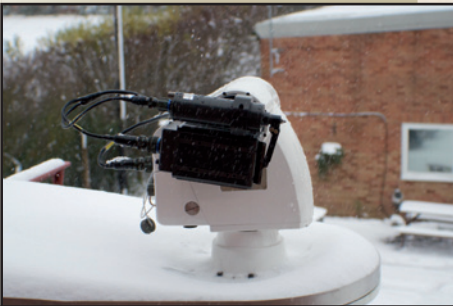




Stabilised Vehicle Application



Military Vehicle Mast Mount



Commercial Platform Mount



# Cobra

## Electro-Optical Platform



The **COBRA** Electro-Optical Platform (EOP) is a high performance, compact, dual axis, servo positioning platform. It has been developed primarily for carrying an extensive range of sensors, and is well suited for rugged ground deployment and harsh vehicle mounted applications.

**COBRA** is fully qualified for mounting onto armoured tracked & wheeled vehicles, and is compliant with all the latest environmental requirements, including EMC to land Class A. It can also be upgraded with an ultra-strong lower bearing housing for use on tracked vehicles.

As well as military applications **COBRA** is also available as a cost effective commercial solution for reliable surveillance. A naval version is also available in the form of **SEA COBRA**.

- Stabilised versions available
- Lightweight & compact design
- Easily mounted on tripods, masts, vehicles and waterborne vessels
- Reliable operation in extreme environments
- Multi-configurable payload options

### For ground deployed applications, Vehicle mounting & Base protection

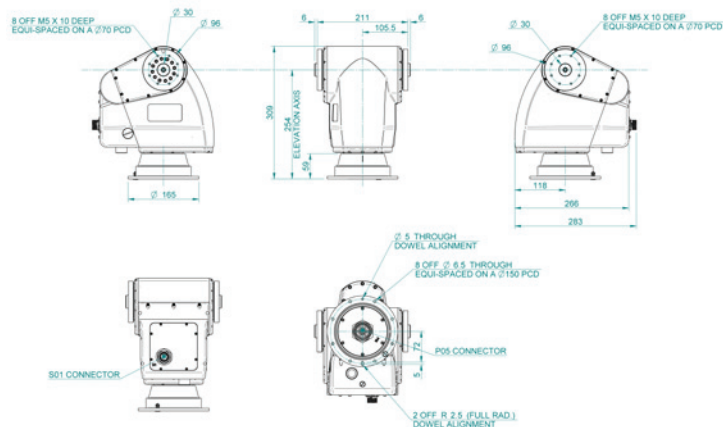


Cobra Technical Specification			
General	Commercial	Enhanced	Military
Cobra Mass	12.5Kg	13.6Kg	14.5Kg
Max. Payload	12-15Kg	15-18Kg	20+Kg
Stabilisation Option	No	Yes	Yes
Mechanical			
Azimuth Rotation	360° x n		
Elevation Soft Endstops	± 45°	± 60°	Range TBA
Elevation Endstops	± 50°	± 65°	Range +5°
Electrical			
Voltage Range	24 ± 1.5V DC	18-32V DC	18-32V DC
Power Peak (24V)	130W	150W	150W
Power @ Rest (24V)	30W	34W	36W
Power Heaters (24V)	N/A	25W	50W
Communications	RS422		

Performance	100	160	200
(Gearbox options for each axis)			
Gearbox Ratio	100:1	160:1	200:1
Max Speed	64°/s	42°/s	32°/s
Min Speed	0.088°/s	0.055°/s	0.044°/s
Pointing Accuracy	0.08°	0.07°	0.06°
Environmental			
General Specification	Commercial EU & CE Std	Mil Std 810C	Mil Std 810C & Def Stan 00-35
Low Temp. Operation	-10°C	-20°C	-32°C
High Temp. Operation	+49°C	+49°C	+55°C
Rain	200mm/hr duration		
Snow/Ice	50mm Snow with 3mm Ice		
Sand/Dust	CE	Mil 461E	Def Stan 59-44 Land Class A

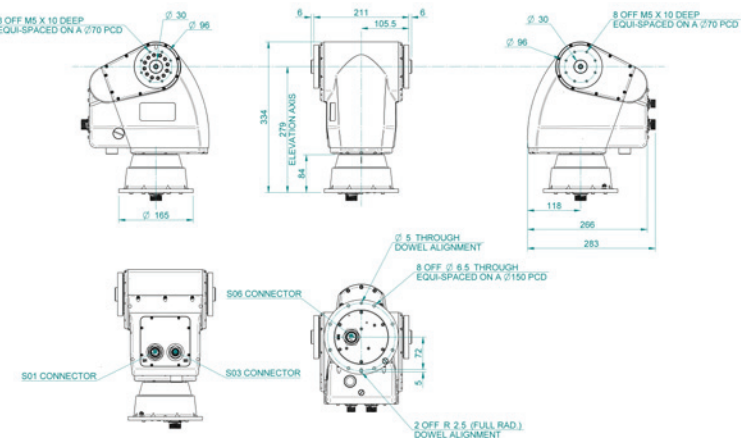
## Commercial

- Standard gaskets
- Standard performance sliping
- -10° to +49° C fully operational
- Compact design with base mounted connector for fixed position use



## Enhanced

- EMC gaskets and grounding system
- DC/DC converter (18-24V DC)
- Standard performance sliping
- Secondary azimuth bearing for high shock and vibration
- Heavy duty lower bearing housing with clamp ring
- Heaters for low temperature operation (-20° to +49° C fully operational)



## Military

- EMC gaskets and grounding system
- EMC feed through filter PCD
- Surge suppression PCB
- Conducted emissions filter
- DC/DC converter (18-32V DC)
- High performance sliping with 5 coaxial circuits
- 4 x rear sensor connectors
- 2 x base connectors, positioned to mounting requirements
- Secondary azimuth bearing for high shock and vibration
- Heavy duty lower bearing housing with clamp ring
- Heaters for low temperature operation (-32° to +55° C fully operational)

