

THIRD ANGLE PROJECTION

1. REMOVE ALL BURRS AND SHARP EDGES  
2. A RADIUS OR CHAMFER OF 0.2mm (MAX) IS PERMITTED IN THE CORNERS, HOLES & RECESSES

3. SURFACE FINISH N7 UNLESS OTHERWISE STATED  
4. ALL DIMENSIONS ARE AFTER SPECIFIED FINISH  
5. IF IN DOUBT ASK!

DRAWN TO BS 8888  
DO NOT SCALE

THIS DRAWING IS THE PROPERTY OF CHESS ENGINEERING SYSTEMS LIMITED AND SHALL NOT, IN PART OR IN WHOLE, WITHOUT OUR WRITTEN PERMISSION, BE COPIED, REPRODUCED IN ANY WAY, USED FOR MANUFACTURING, OR COMMUNICATED TO ANY OTHER PERSON OR COMPANY

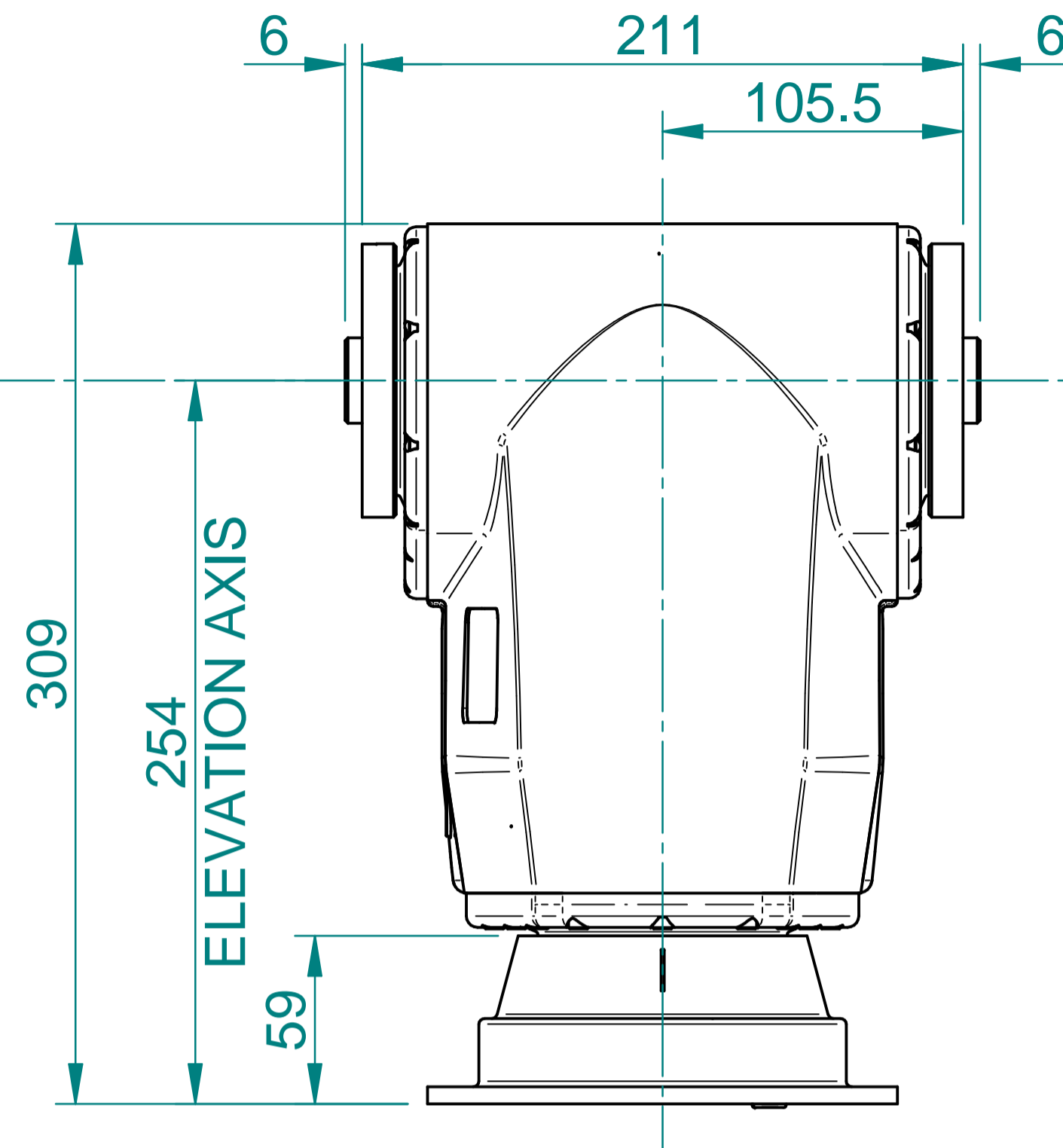
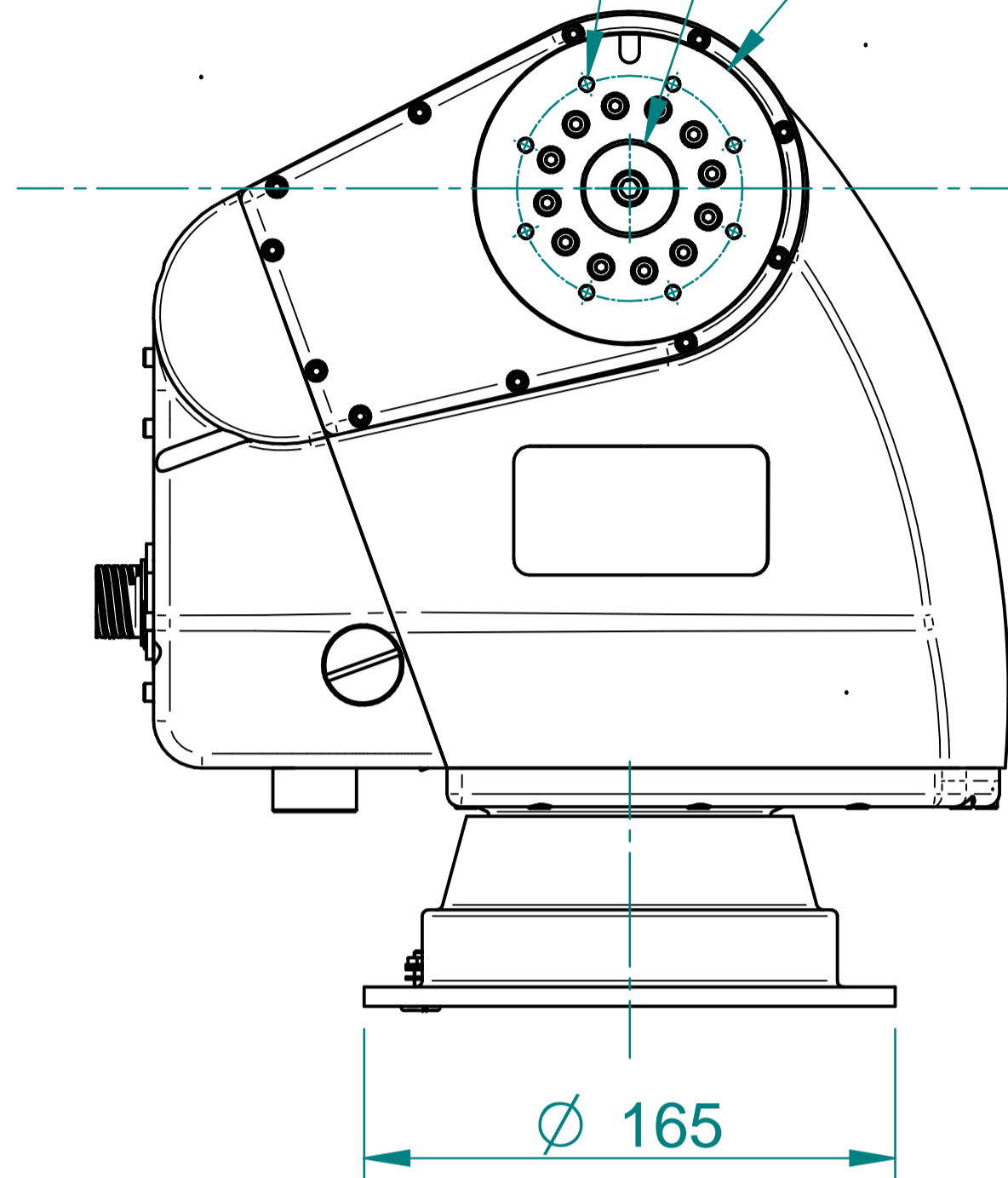
IF IN DOUBT ASK

**UNCONTROLLED WHEN PRINTED**

ALTERATIONS

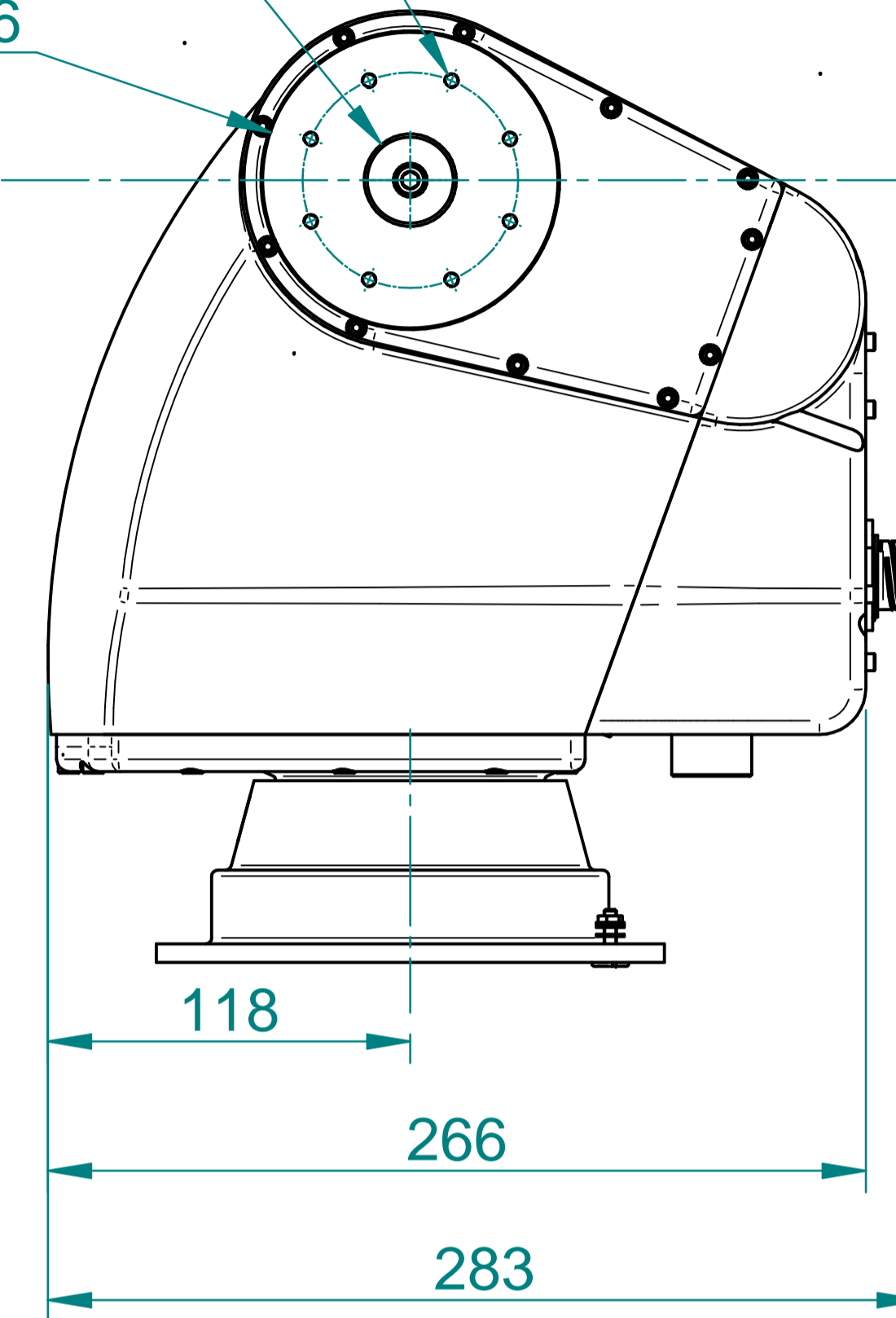
8 OFF M5 X 10 DEEP  
EQUI-SPACED ON A  $\varnothing 70$  PCD

$\varnothing 30$   
 $\varnothing 96$



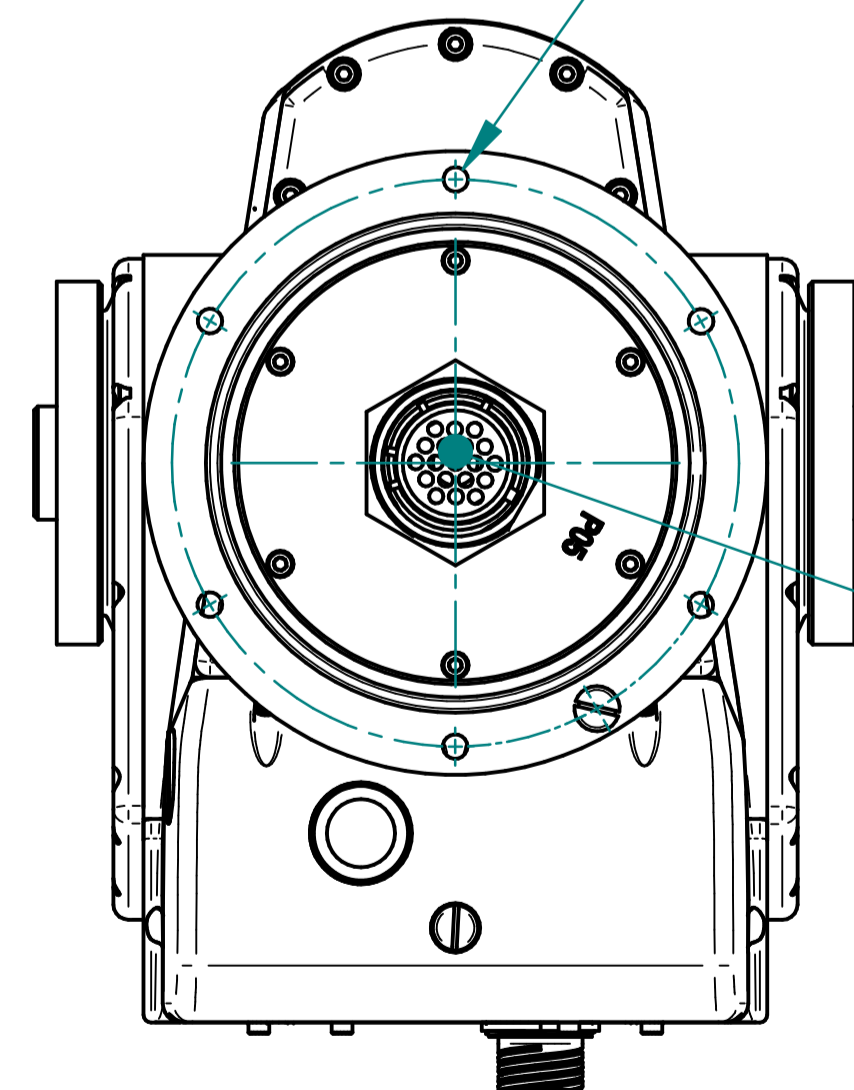
8 OFF M5 X 10 DEEP  
EQUI-SPACED ON A  $\varnothing 70$  PCD

$\varnothing 30$   
 $\varnothing 96$

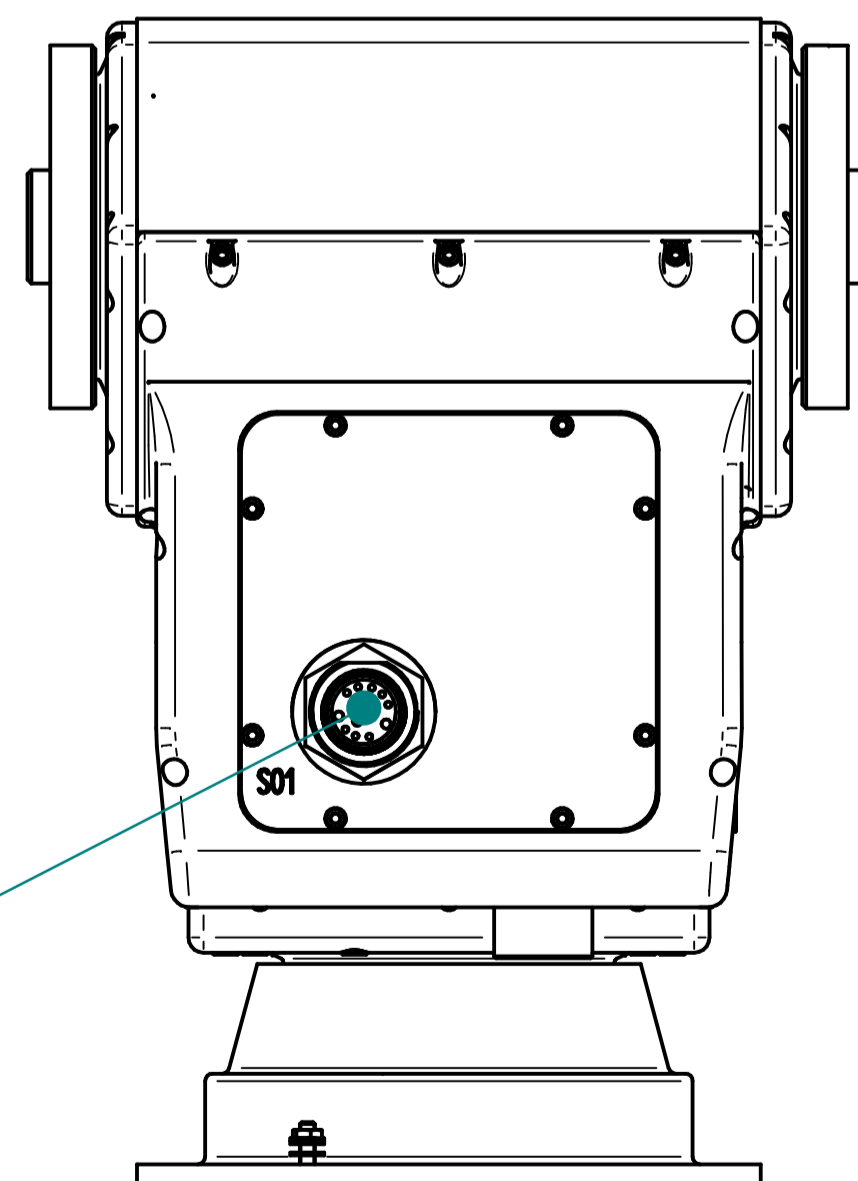


6 OFF  $\varnothing 6.5$  THROUGH  
EQUI-SPACED ON A  $\varnothing 150$  PCD

P05 CONNECTOR



S01 CONNECTOR



ISSUE

Unit7, North Heath Industrial Estate, North Heath Lane, Horsham,  
West Sussex. United Kingdom. RH12 5QE  
email: info@chess-sys.com http://www.chess-dynamics.com  
Tel: (+44)01403 249888 Fax: (+44)01403 249555



MATERIAL

SURFACE FINISH

SCALE 1:2 @ A1

GENERAL TOLERANCES

LINEAR 2 DEC. PLACES  $\pm 0.1$   
ALL OTHER DIMENSIONS  $\pm 0.25$   
ANGULAR  $\pm 0.5^\circ$

DRAWN ROB

DATE 17/02/2011

DESIGN eric

TITLE

COMMERCIAL COBRA

PROJECT

COBRA

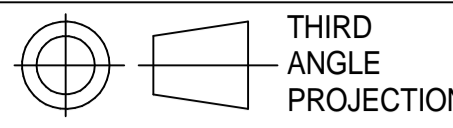
RELEASED

DRAWING No.

CD012-01-0000-00

SHEET 1 OF 3

A1



THIRD ANGLE PROJECTION

1. REMOVE ALL BURRS AND SHARP EDGES  
2. A RADIUS OR CHAMFER OF 0.2mm (MAX) IS PERMITTED IN THE CORNERS, HOLES & RECESSES

3. SURFACE FINISH N7 UNLESS OTHERWISE STATED  
4. ALL DIMENSIONS ARE AFTER SPECIFIED FINISH  
5. IF IN DOUBT ASK!

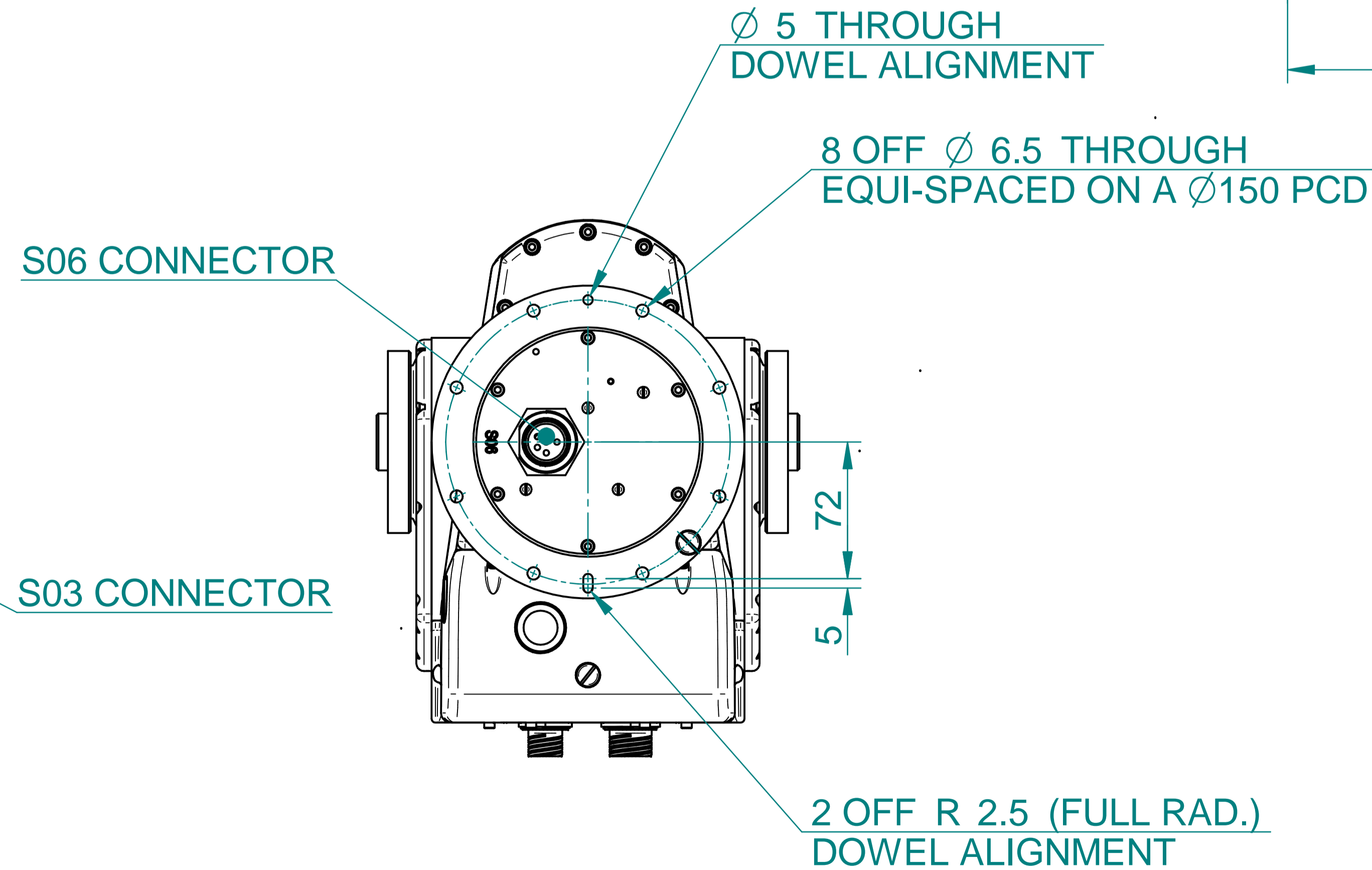
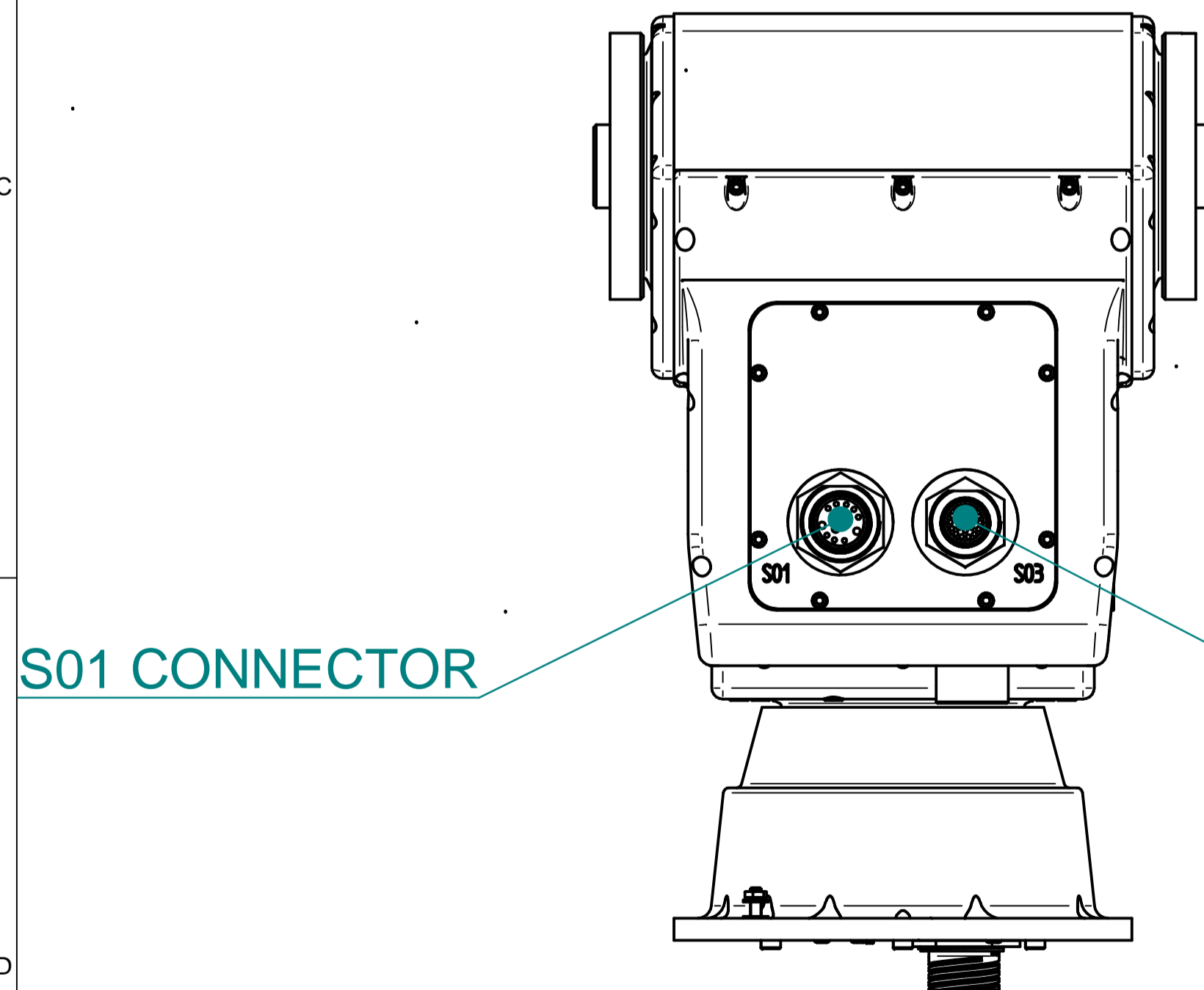
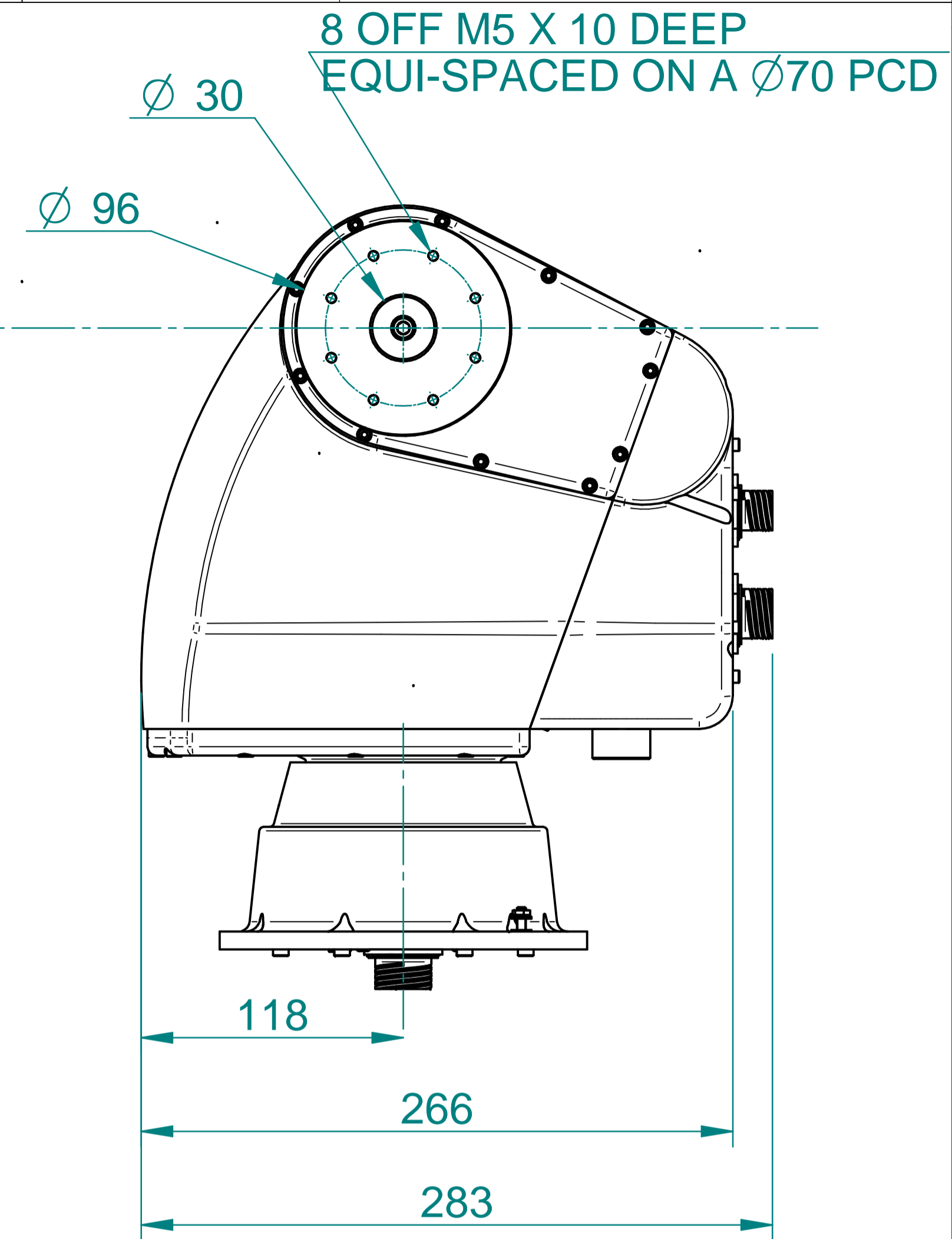
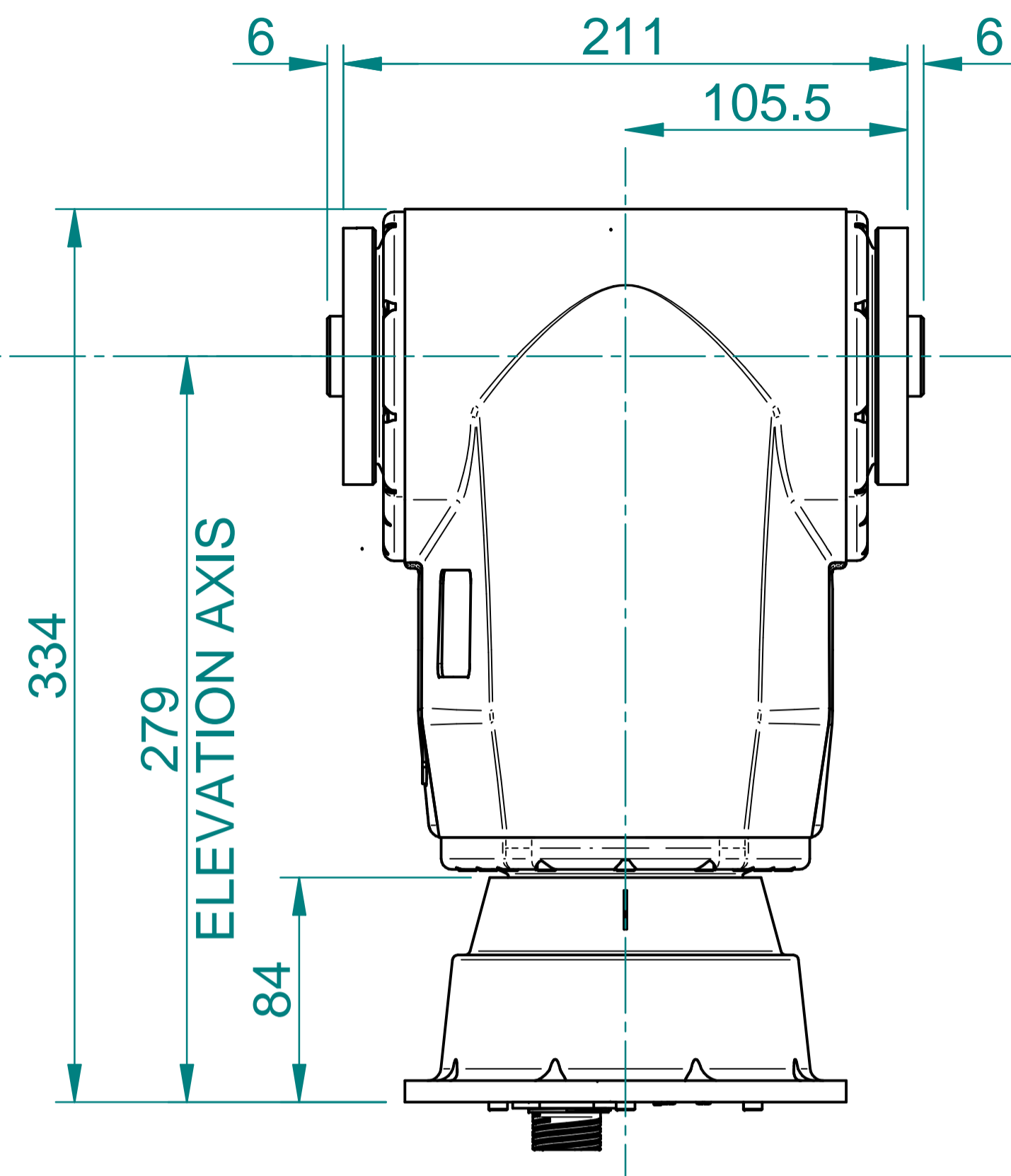
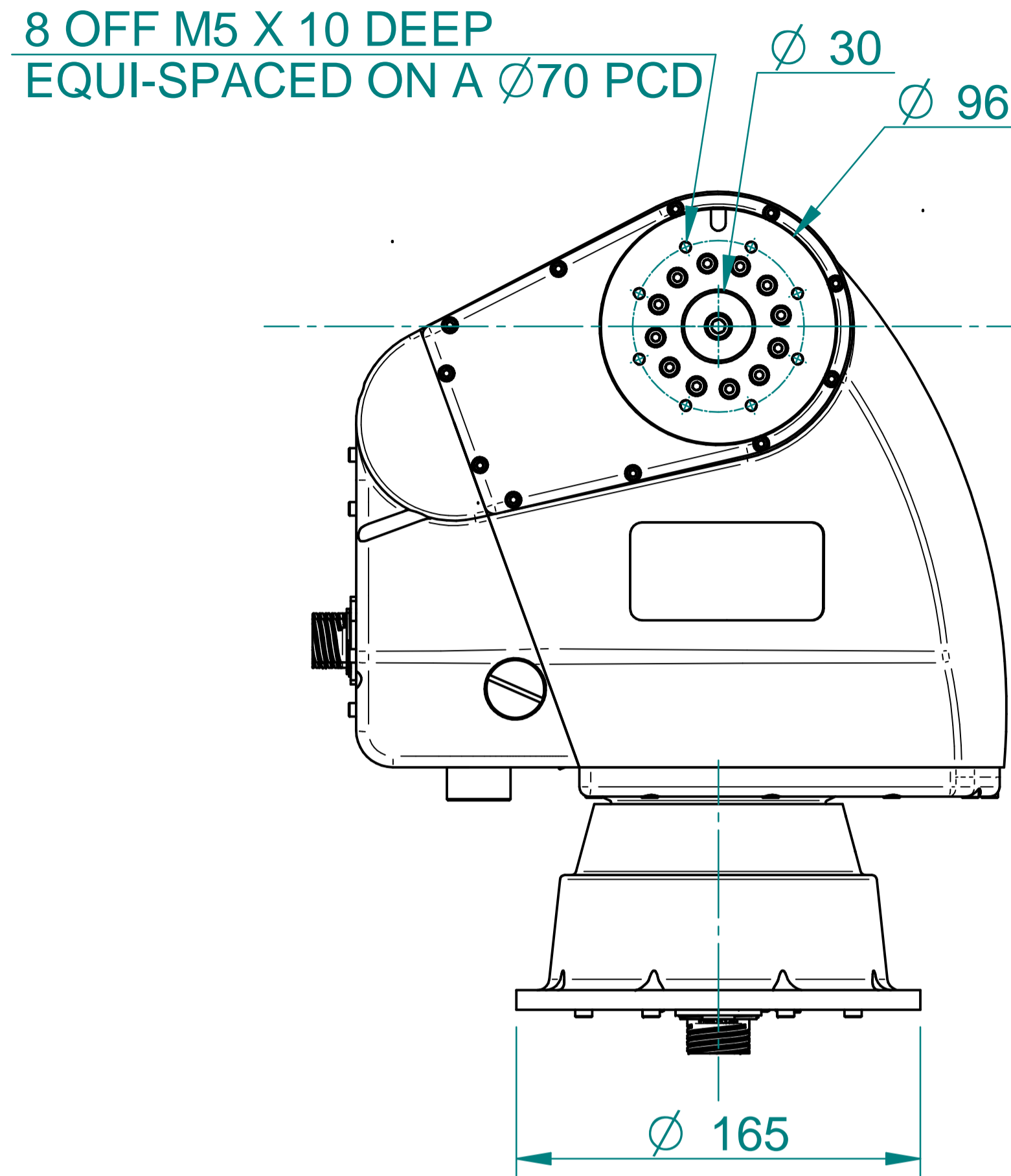
DRAWN TO BS 8888  
DO NOT SCALE

THIS DRAWING IS THE PROPERTY OF CHSS ENGINEERING SYSTEMS LIMITED AND SHALL NOT, IN PART OR IN WHOLE, WITHOUT OUR WRITTEN PERMISSION, BE COPIED, REPRODUCED IN ANY WAY, USED FOR MANUFACTURING, OR COMMUNICATED TO ANY OTHER PERSON OR COMPANY

IF IN DOUBT ASK

**UNCONTROLLED WHEN PRINTED**

ALTERATIONS



Unit7, North Heath Industrial Estate, North Heath Lane, Horsham, West Sussex. United Kingdom. RH12 5QE  
email:info@chess-sys.com http://www.chess-dynamics.com  
Tel:(+44)01403 249888 Fax:(+44)01403 249555



MATERIAL

SURFACE FINISH

SCALE 1:2 @ A1

GENERAL TOLERANCES  
LINEAR 2 DEC. PLACES ±0.1  
ALL OTHER DIMENSIONS ±0.25  
ANGULAR ±0.5°

DRAWN ROB

DATE 17/02/2011

DESIGN eric

TITLE

ENHANCED COBRA

PROJECT

COBRA

RELEASED

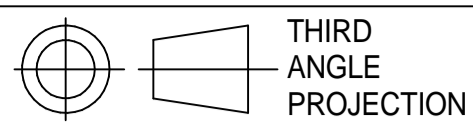
DRAWING No.

CD012-02-0000-00

SHEET 2 OF 3

A1

ISSUE



THIRD ANGLE PROJECTION

1. REMOVE ALL BURRS AND SHARP EDGES  
2. A RADIUS OR CHAMFER OF 0.2mm (MAX) IS PERMITTED IN THE CORNERS, HOLES & RECESSES

3. SURFACE FINISH N7 UNLESS OTHERWISE STATED  
4. ALL DIMENSIONS ARE AFTER SPECIFIED FINISH  
5. IF IN DOUBT ASK!

DRAWN TO BS 8888  
DO NOT SCALE

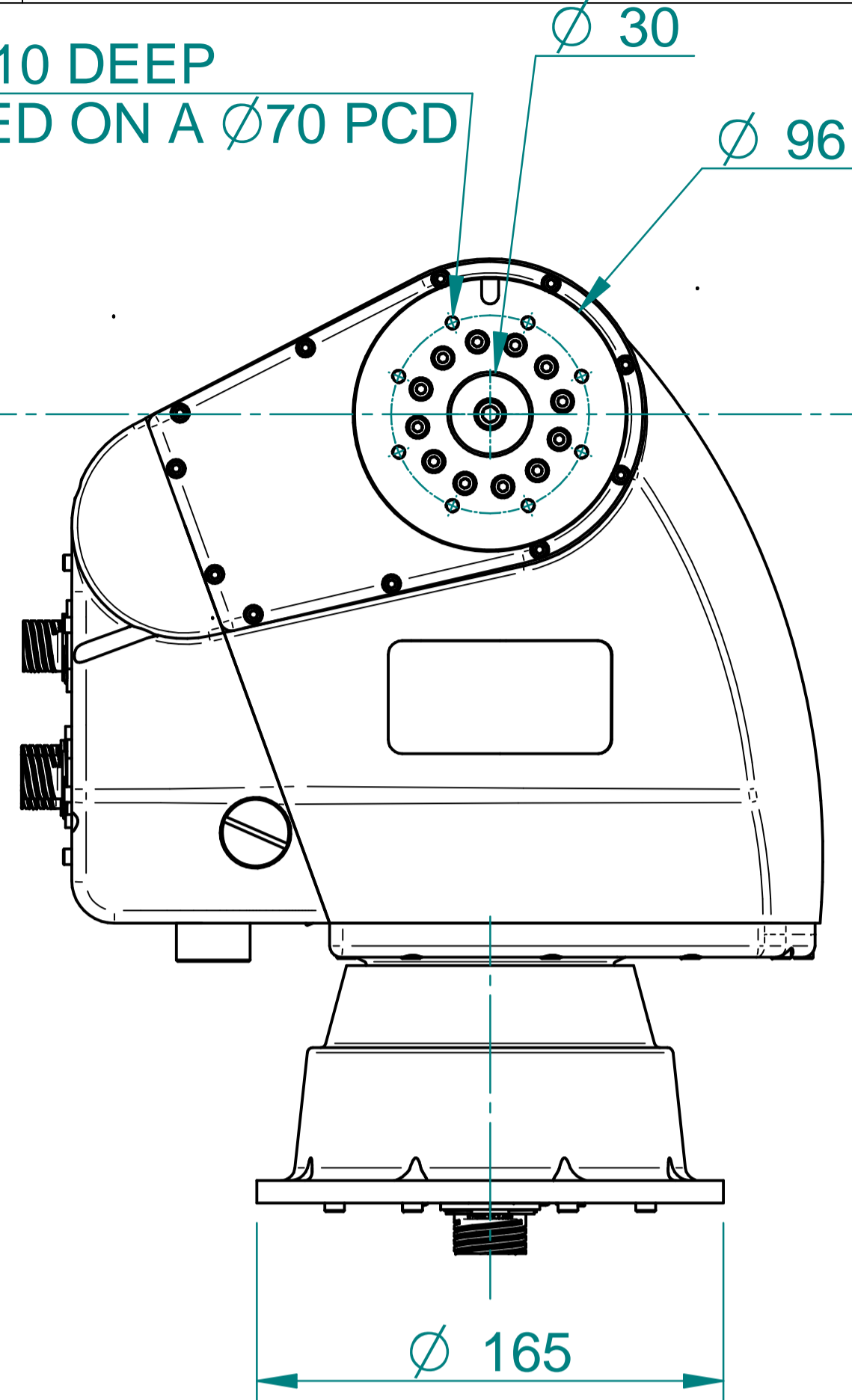
THIS DRAWING IS THE PROPERTY OF CHESS ENGINEERING SYSTEMS LIMITED AND SHALL NOT, IN PART OR IN WHOLE, WITHOUT OUR WRITTEN PERMISSION, BE COPIED, REPRODUCED IN ANY WAY, USED FOR MANUFACTURING, OR COMMUNICATED TO ANY OTHER PERSON OR COMPANY

IF IN DOUBT ASK

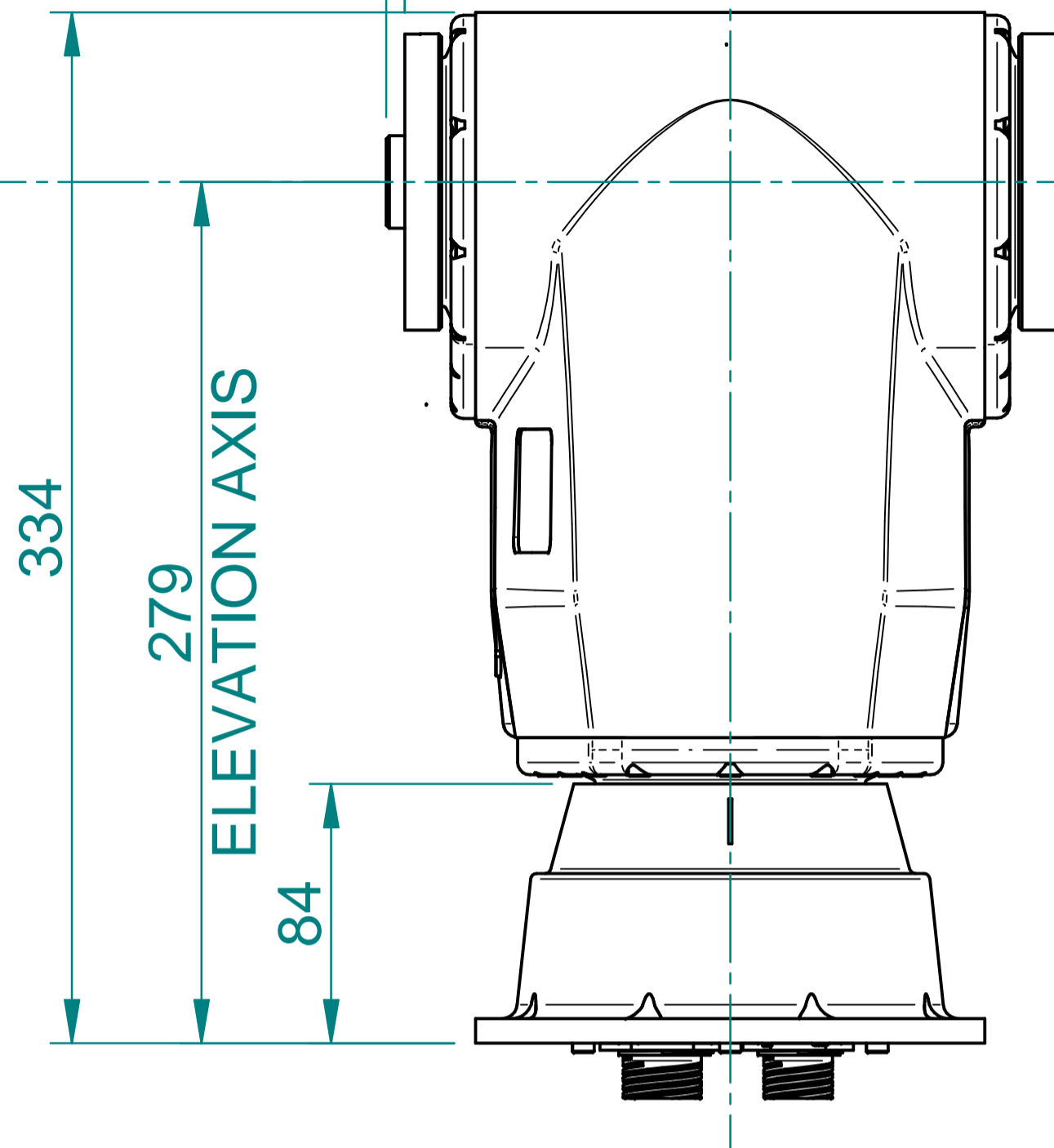
**UNCONTROLLED WHEN PRINTED**

ALTERATIONS

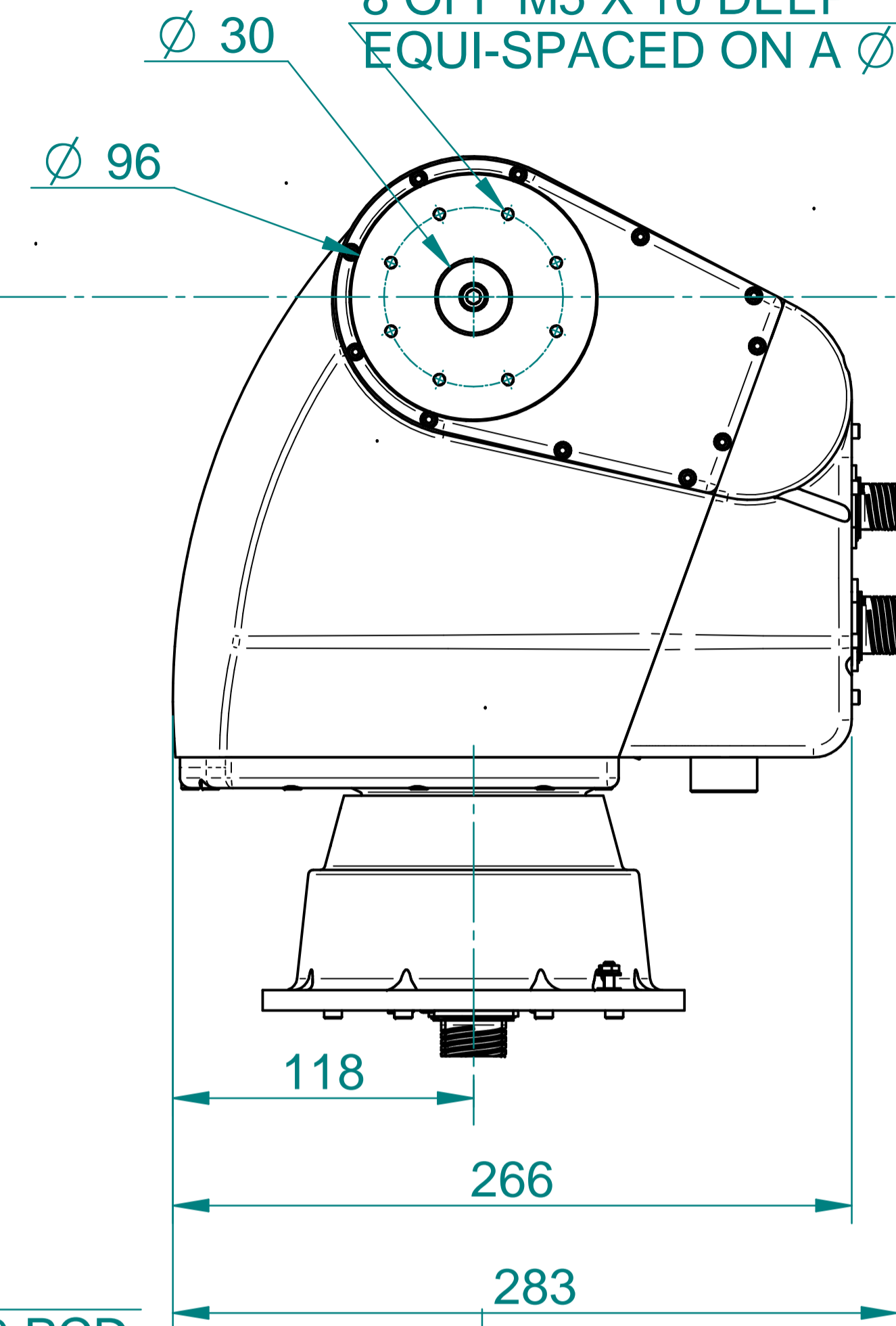
8 OFF M5 X 10 DEEP  
EQUI-SPACED ON A  $\varnothing 70$  PCD



6 211 6

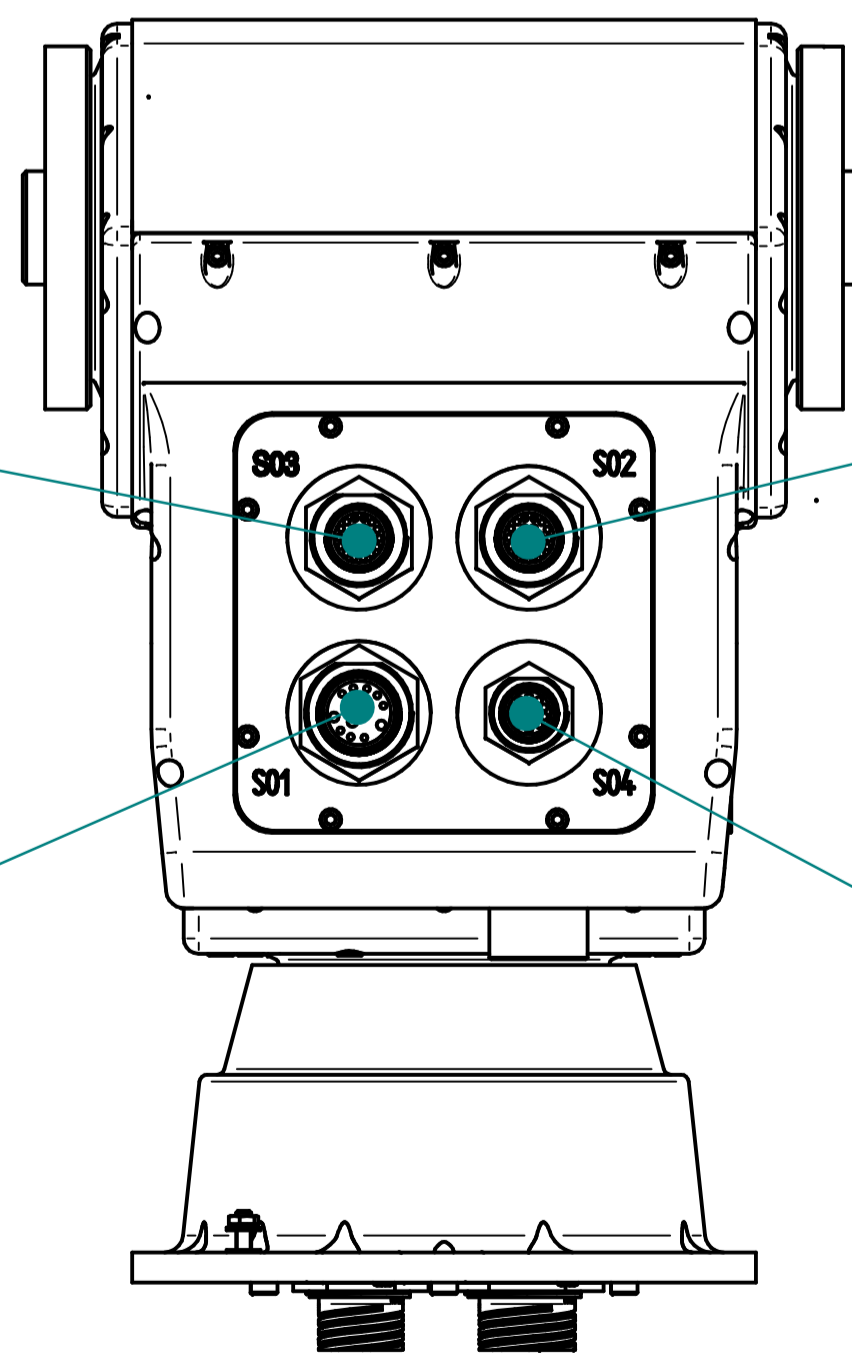


8 OFF M5 X 10 DEEP  
EQUI-SPACED ON A  $\varnothing 70$  PCD



$\varnothing 5$  THROUGH  
DOWEL ALIGNMENT

8 OFF  $\varnothing 6.5$  THROUGH  
EQUI-SPACED ON A  $\varnothing 150$  PCD



S03 CONNECTOR

S06 CONNECTOR

S02 CONNECTOR

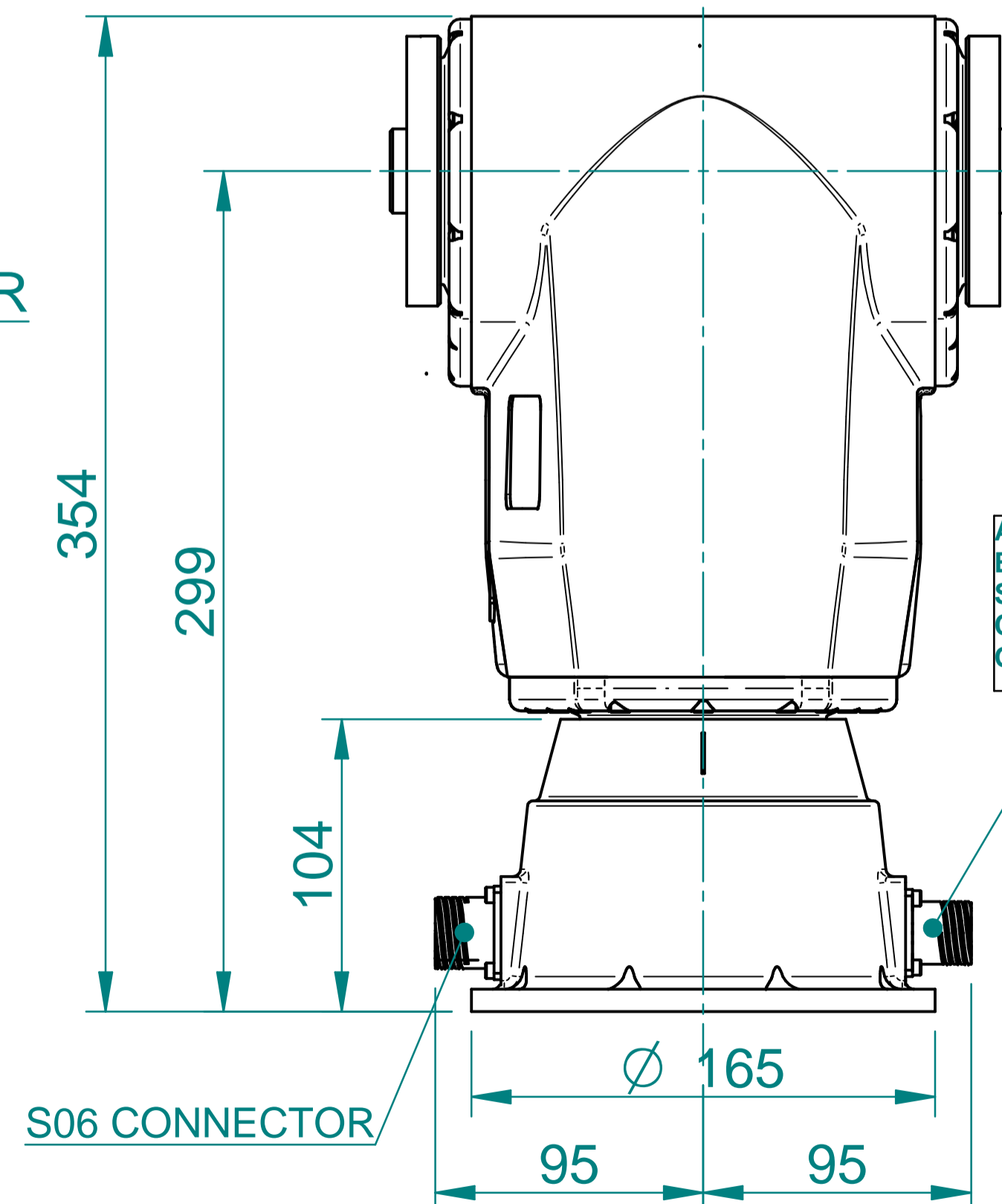
S01 CONNECTOR

S04 CONNECTOR

P05 CONNECTOR

72  
5

2 OFF R 2.5 (FULL RAD.)  
DOWEL ALIGNMENT



ALTERNATIVE EXTENDED  
BASE, WHICH CAN BE  
SUPPLIED WITH SIDE  
CONNECTORS (AS SHOWN)  
OR BASE CONNECTORS.

P05 CONNECTOR

S06 CONNECTOR

Unit7, North Heath Industrial Estate, North Heath Lane, Horsham,  
West Sussex. United Kingdom. RH12 5QE  
email: info@chess-sys.com http://www.chess-dynamics.com  
Tel: (+44)01403 249888 Fax: (+44)01403 249555



MATERIAL

SURFACE FINISH

SCALE 1:2 @ A1

GENERAL TOLERANCES  
LINEAR 2 DEC. PLACES  $\pm 0.1$   
ALL OTHER DIMENSIONS  $\pm 0.25$   
ANGULAR  $\pm 0.5^\circ$

DRAWN ROB

DATE 17/02/2011

DESIGN eric

TITLE

PROJECT COBRA

RELEASED

DRAWING No.

A1

ISSUE

SHEET 3 OF 3