

1. REMOVE ALL BURRS AND SHARP EDGES
 2. A RADIUS OR CHAMFER OF 0.2mm (MAX) IS PERMITTED IN THE CORNERS, HOLES & RECESSES

3. SURFACE FINISH N7 UNLESS OTHERWISE STATED
 4. ALL DIMENSIONS ARE AFTER SPECIFIED FINISH

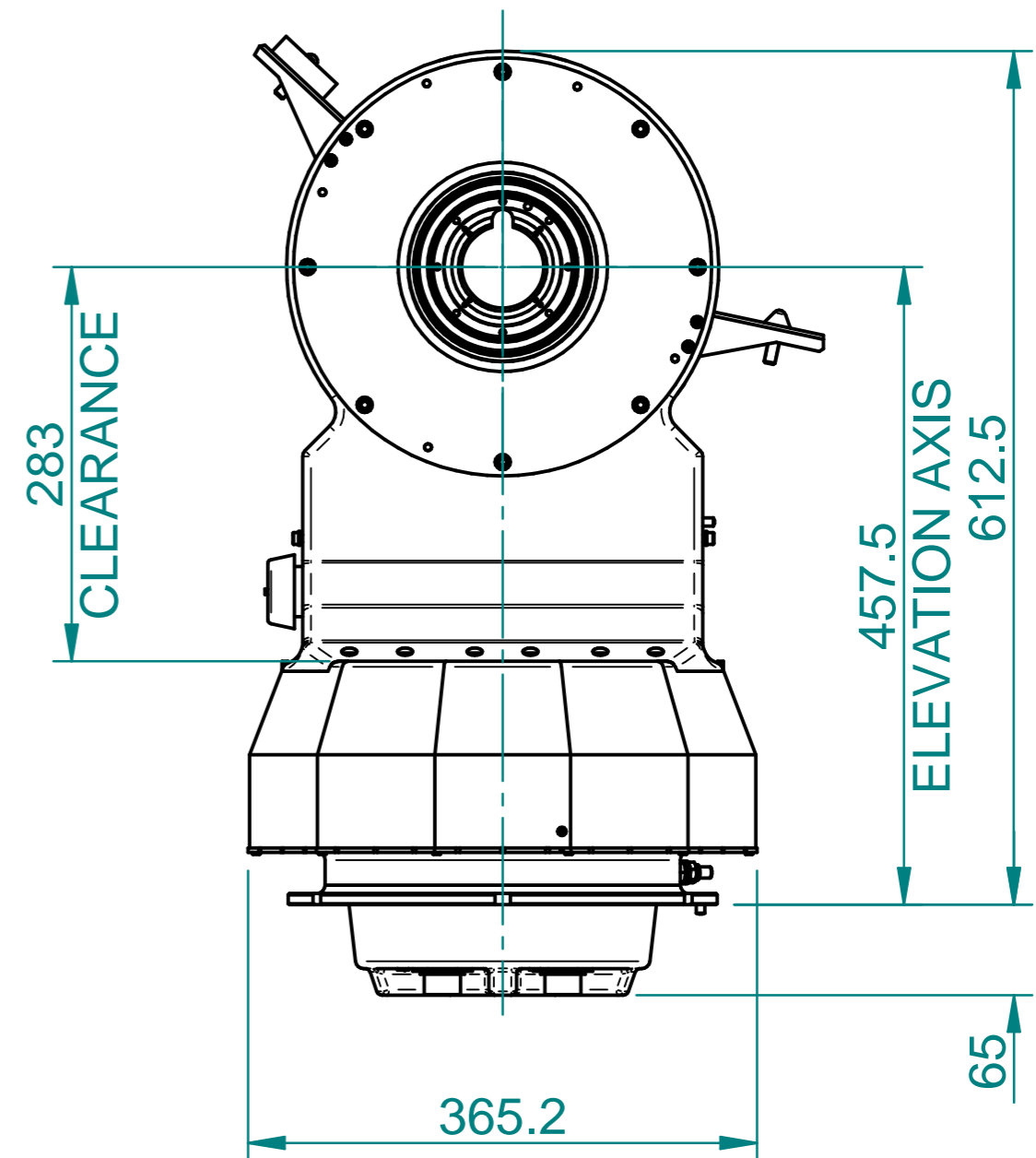
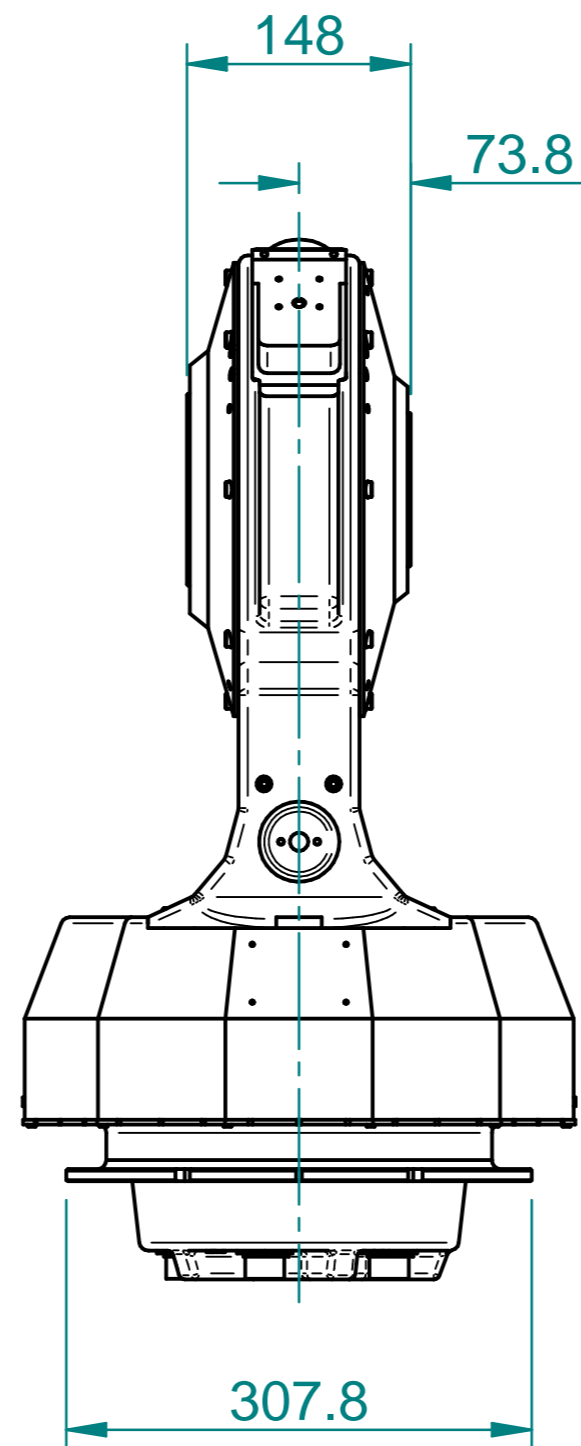
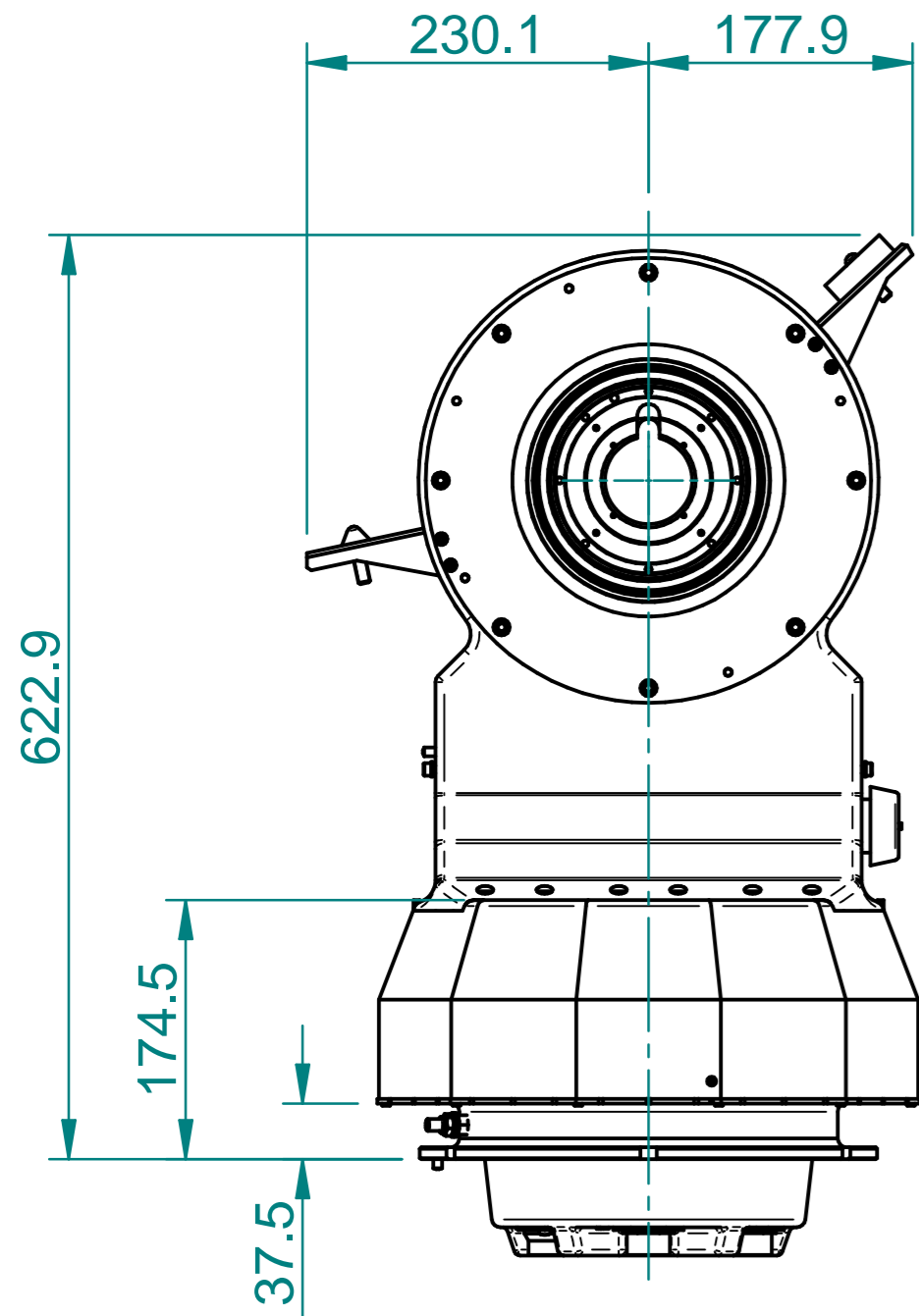
DRAWN TO BS 8888
 DO NOT SCALE

THIS DRAWING IS THE PROPERTY OF CHSS ENGINEERING SYSTEMS LIMITED AND SHALL NOT, IN PART OR IN WHOLE, WITHOUT OUR WRITTEN PERMISSION, BE COPIED, REPRODUCED IN ANY WAY, USED FOR MANUFACTURING, OR COMMUNICATED TO ANY OTHER PERSON OR COMPANY

IF IN DOUBT ASK

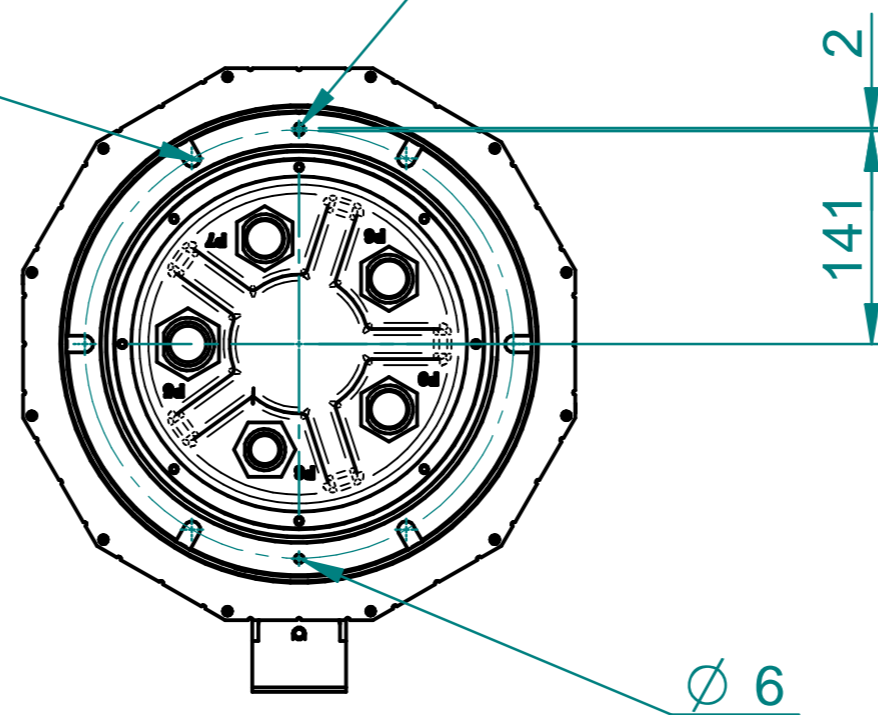
UNCONTROLLED WHEN PRINTED

ALTERATIONS



6 OFF R 5.5 SOLTS
 EQUI-SPACED ON A $\varnothing 283.5$ PCD

R 3
 2 PLACES



Unit 7, North Heath Industrial Estate, North Heath Lane, Horsham,
 West Sussex. United Kingdom. RH12 5QE
 email: info@chess-sys.com http://www.chess-dynamics.com
 Tel: (+44)01403 249888 Fax: (+44)01403 249555



MATERIAL

SURFACE FINISH

SCALE 1:5 @ A2

GENERAL TOLERANCES
 LINEAR 2 DEC. PLACES ± 0.1
 ALL OTHER DIMENSIONS ± 0.25
 ANGULAR $\pm 0.5^\circ$

DRAWN Robert

DATE 01/11/2010

DESIGN Robert

TITLE IOTA PLATFORM

PROJECT

RELEASED Robert

DRAWING No. A2

1715-0300-00
 SHEET 1 OF 1

ISSUE

8A