



12 Camera Spyder & Iota



10 Camera Spyder & Cobra



Mobile control units available



Spyder

Panoramic Surveillance System

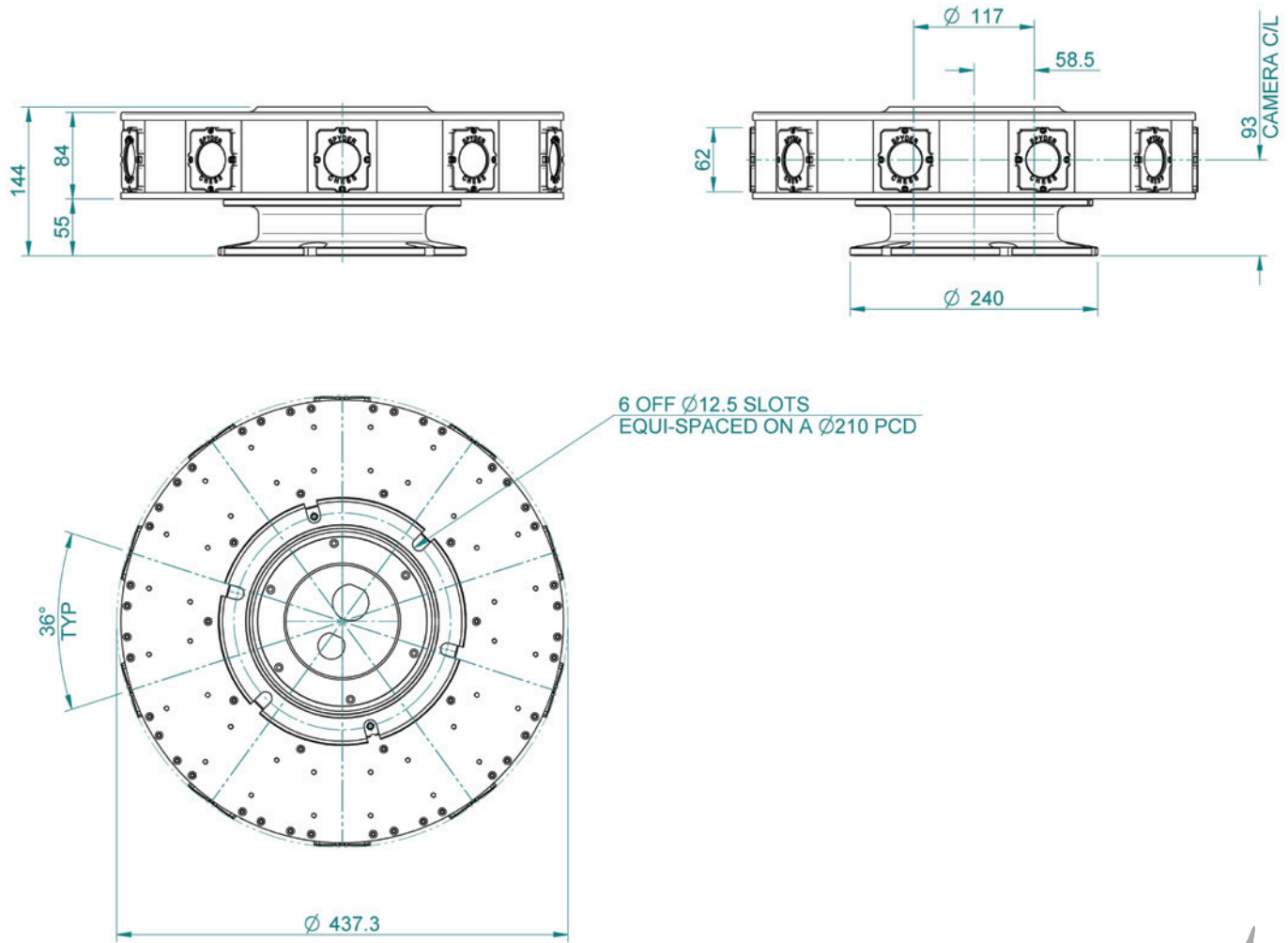


The SPYDER Panoramic Surveillance System (PSS) is a solid state true 360° real time video surveillance system developed and enhanced over the years. It provides our customers with situational awareness, detection and tracking, along with snapshot and pre/post event recording.

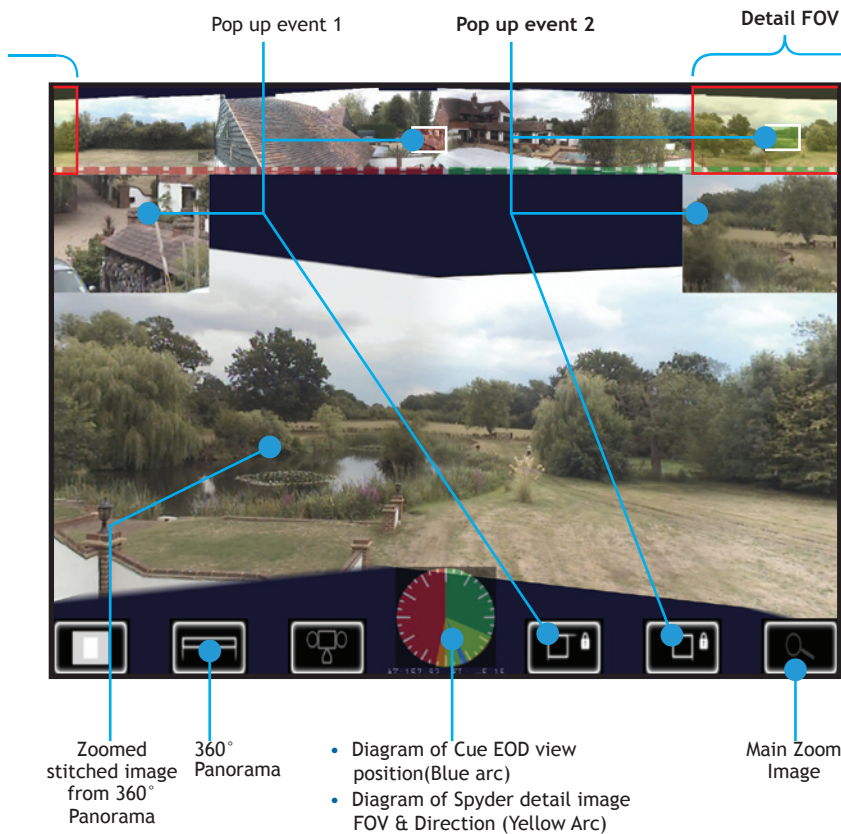
- Weight: 12-14Kg
- 8-15 Camera options
- Day or night versions
- 360° Continuous panoramic view

Modular high performance Situational Awareness System for Military & Homeland Defence





Spyder PSS User Screen Interface



The Spyder image processing software and sophisticated touch screen panoramic situational awareness system, provides the user with a complete tiled 360° panorama presented as a strip on top of the display screen or split between the top and bottom of the display.

- Real time ultra fast 25Hz true 360° panorama coverage
- No lost video images compared to rotating scanning devices
- High technology readiness level (TRL) and maturity
- High image quality
- No moving parts (sealed to IP66)
- Capability of replaying recorded video history (6s pre event 4s post event trigger)
- Snap shot image save
- Modular design - for quick and easy interchangeability
- High supportability with Level 1 (field replaceable) LRUs

The user is also presented with an enlarged main image in the centre of the screen with the image fused together giving a seamless sector view. This centre image can be set to provide 3 preset zoom images at the touch of the ZOOM button.