



Deployable camera mount



FOB security surveillance



Vehicle mounted system



Viper

Pan & Tilt Head



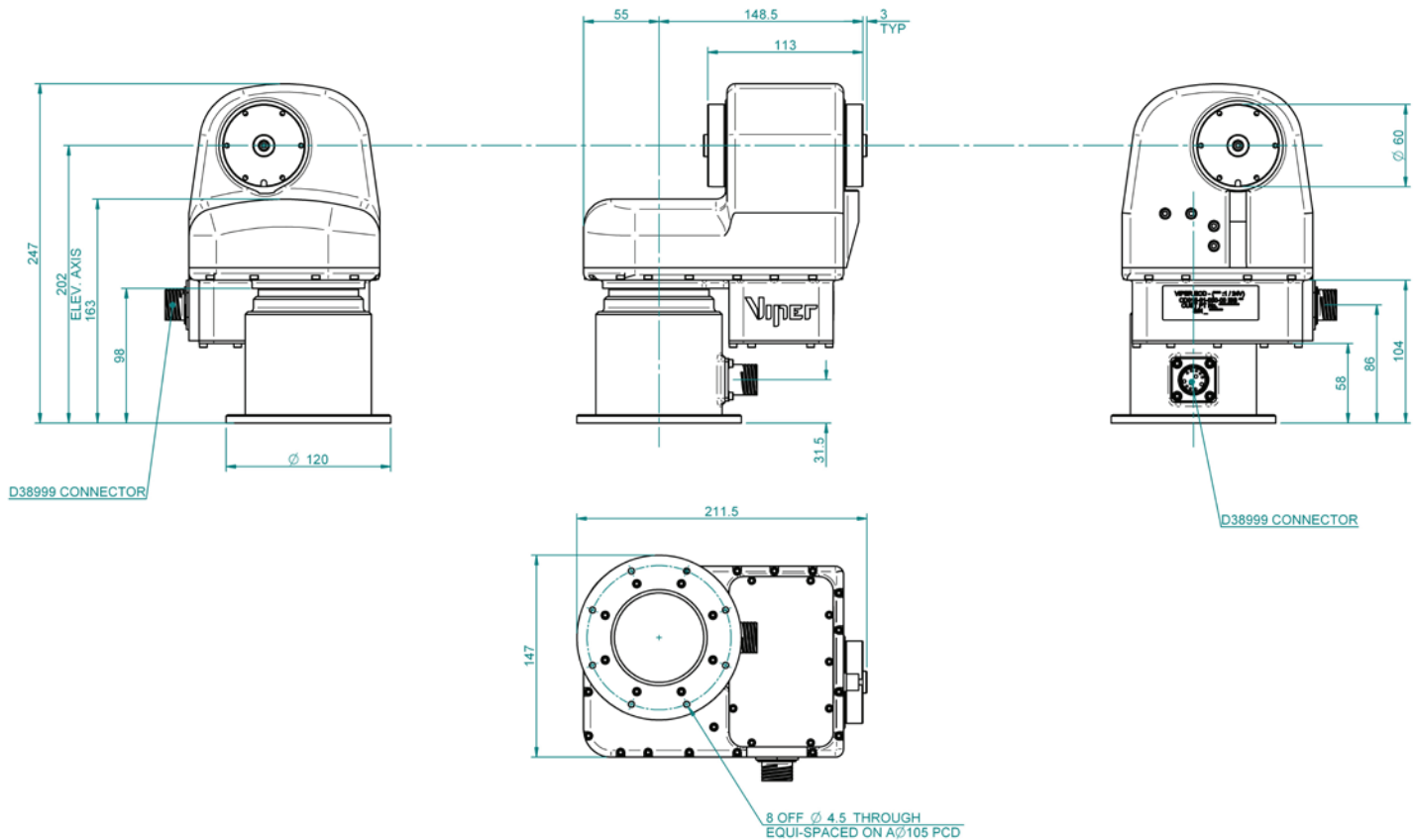
The Viper PTH is a compact, lightweight dual axis platform with continuous rotation in pan (training azimuth). Tilt (elevation) is limited by external stops, which are configurable by the user as part of the payload brackets.

The drive mechanism consists of an anti-backlash worm and wheel set, driven by stepper motors and integral drives to complete this cost effective package. The Viper is designed to operate in exposed military environments, but is also well suited to commercial applications for less stringent surveillance requirements.

- Weight: 5Kg
- Payload capacity: 10Kg
- 360° x n continuous rotation
- Flexible 'L' payload configuration
- Anti-backlash drive mechanism
- Ideal for fast deployment situations

For ground deployed applications, fixed position surveillance or vehicle mounting





Viper Specifications		
Performance		
Platform Mass	5Kg	
Azimuth	Rotation	360° x n Continuous
	Speed	Max: 30° / s
	Drive Torque	Peak: 10Nm
		Continuous: 5Nm
Pointing Accuracy	0.25°	
Elevation	Rotation	Endstops: ±90°
	Speed	Max: 30° / s
	Drive Torque	Peak: 10Nm
		Continuous: 5Nm
Pointing Accuracy	0.25°	
Electrical		
Power Supply	18-32V DC	
Communications	RS422	
Motor Type Azimuth and Elevation	Anti-backlash worm & wheel	



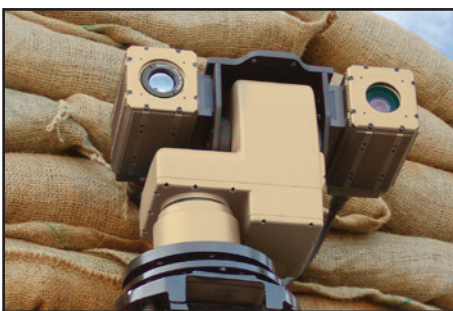
Chess Dynamics designs and manufactures:

- Security and Surveillance Systems
- COTS, Military Systems
- Single & Multi-Axis Platforms & Directors
- Motion Stabilisation
- Tracking / Positioning
- Satellite Communications / Telecoms
- Optical / Vision Systems

Chess Dynamics prides itself on developing specialist electro-mechanical servo equipment and associated sensors to the highest standards using modern technology.

Why not let Chess Dynamics help you develop high performance systems that meet the stringent demands and specifications that are required in today's competitive international environment ?

For additional information or questions, please do not hesitate to contact us at the address below or visit our website.



Fast tripod mounting



Fixed wall mounted security



Sandbag spike deployment