

1. REMOVE ALL BURRS AND SHARP EDGES  
 2. A RADIUS OR CHAMFER OF 0.2mm (MAX) IS PERMITTED IN THE CORNERS, HOLES & RECESSES

3. SURFACE FINISH N7 UNLESS OTHERWISE STATED  
 4. ALL DIMENSIONS ARE AFTER SPECIFIED FINISH

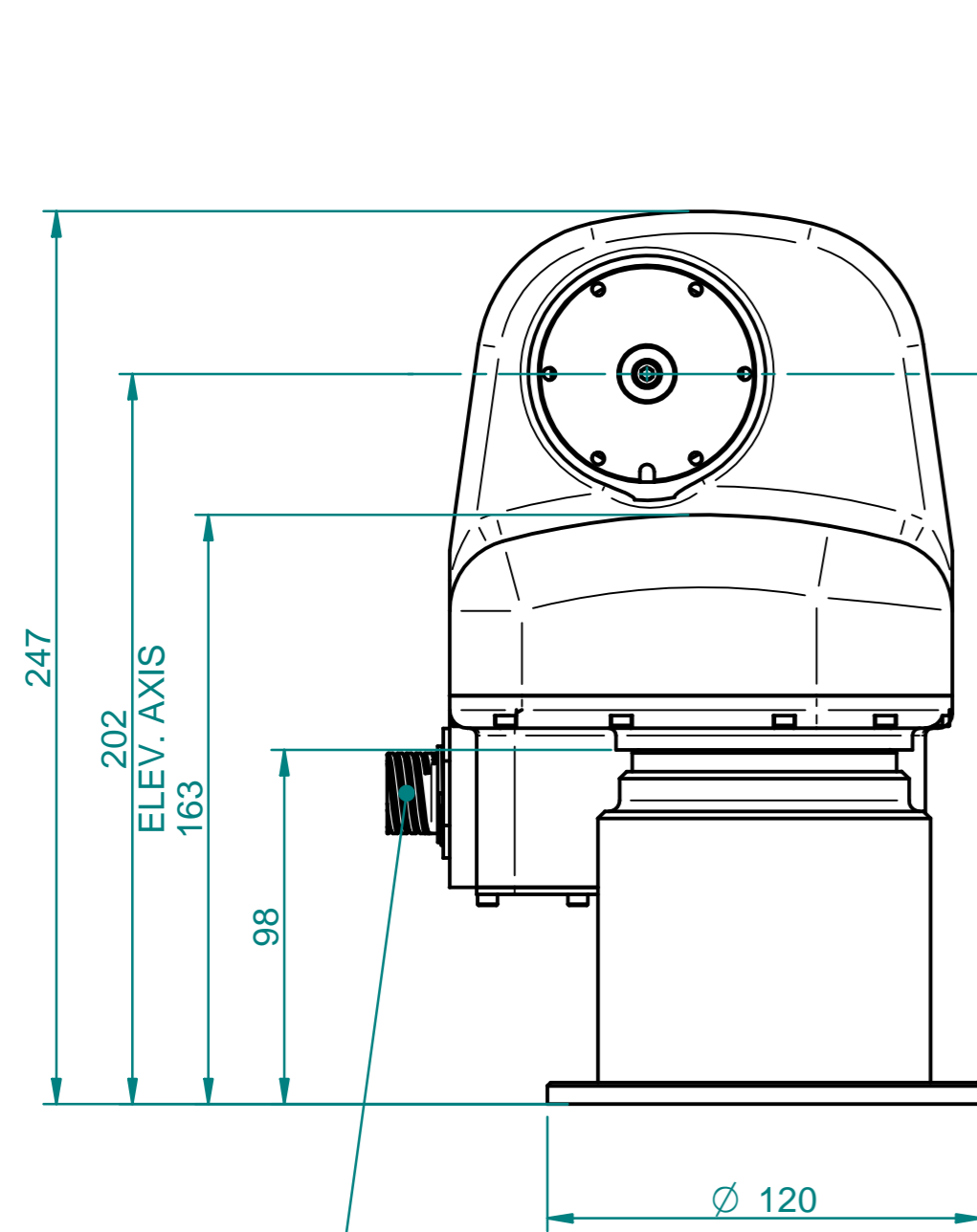
DRAWN TO BS 8888  
 DO NOT SCALE

THIS DRAWING IS THE PROPERTY OF CHESS ENGINEERING SYSTEMS LIMITED AND SHALL NOT, IN PART OR IN WHOLE, WITHOUT OUR WRITTEN PERMISSION, BE COPIED, REPRODUCED IN ANY WAY, USED FOR MANUFACTURING, OR COMMUNICATED TO ANY OTHER PERSON OR COMPANY

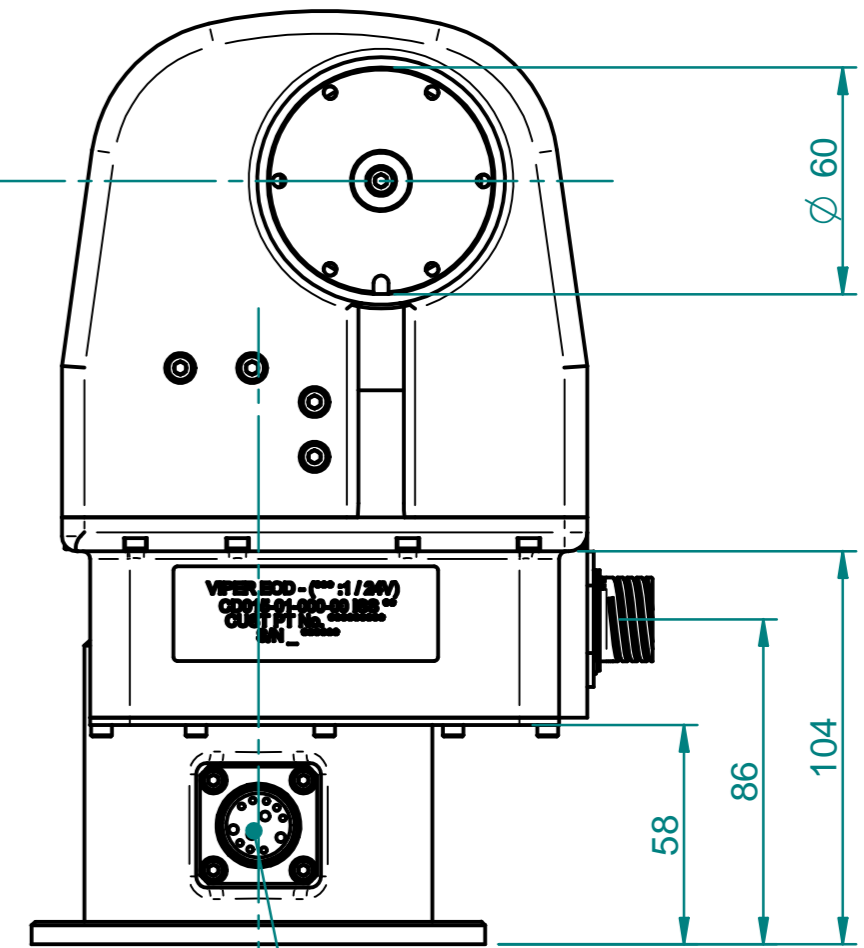
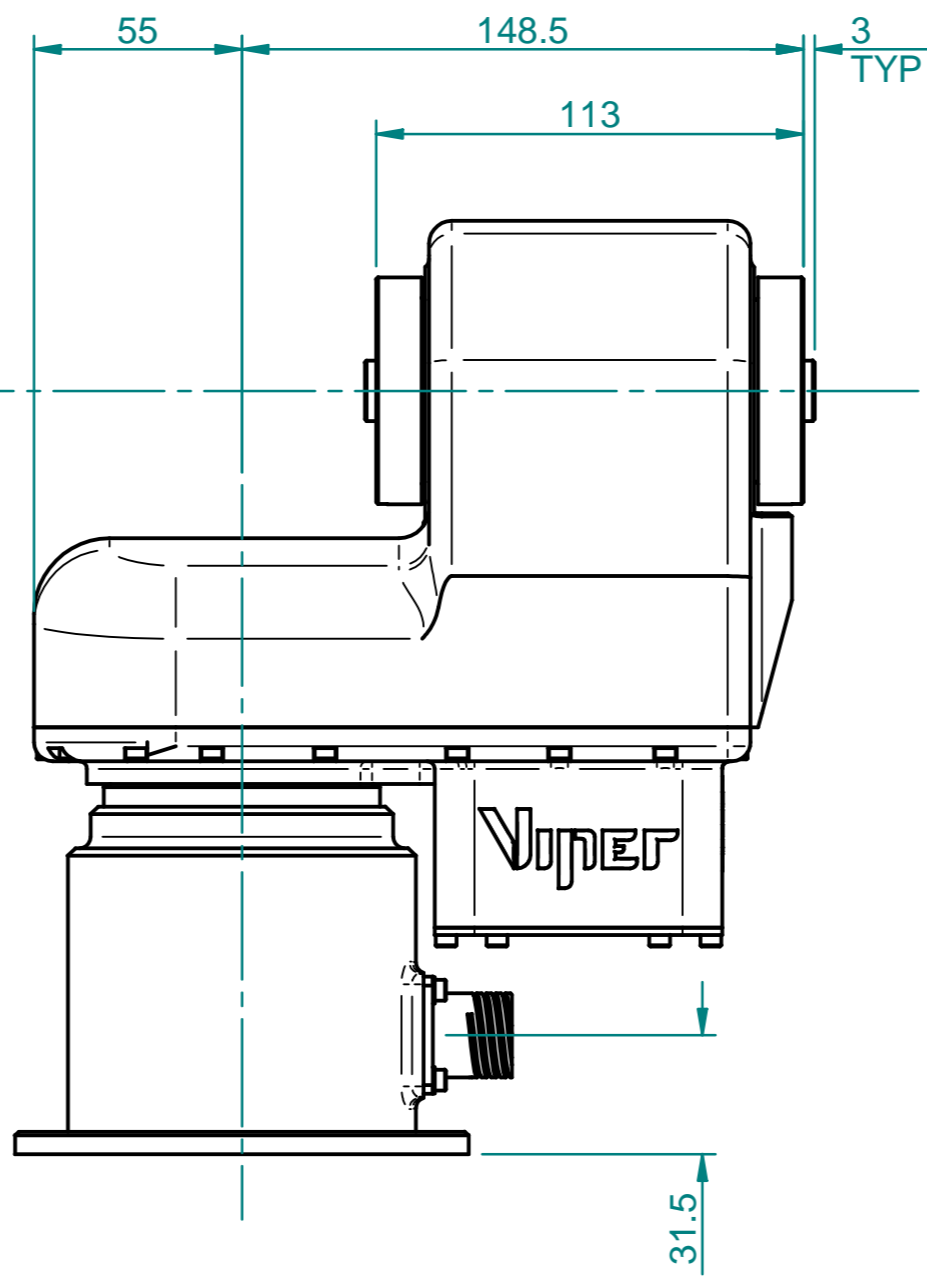
IF IN DOUBT ASK

**UNCONTROLLED WHEN PRINTED**

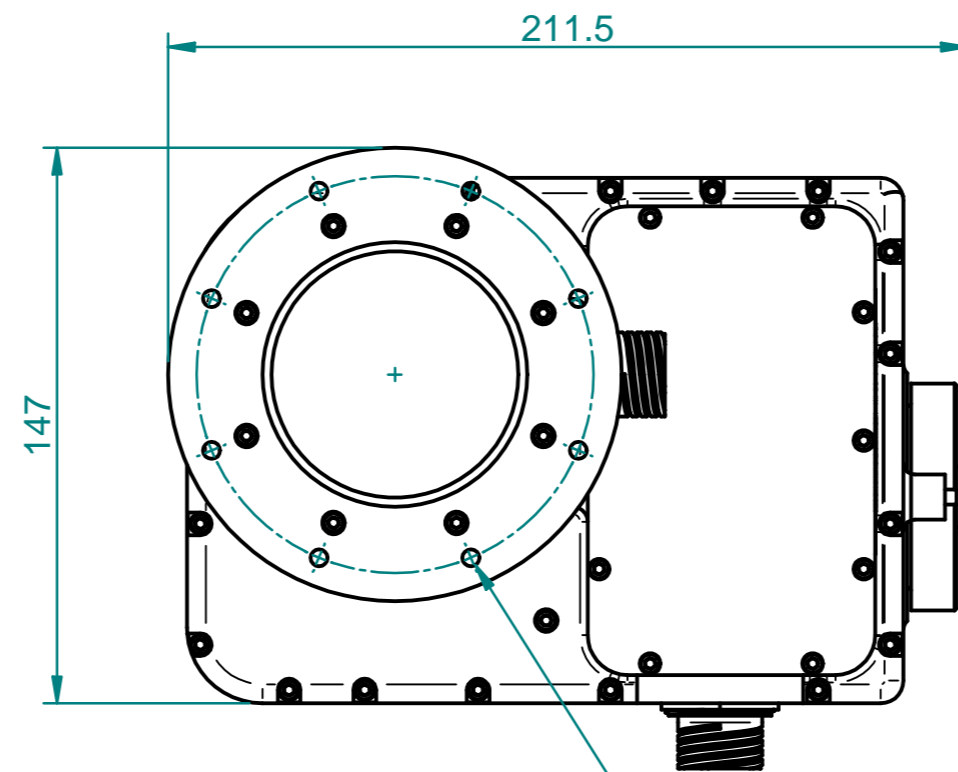
ALTERATIONS



D38999 CONNECTOR



D38999 CONNECTOR



8 OFF  $\phi$  4.5 THROUGH  
 EQUI-SPACED ON A $\phi$ 105 PCD

ISSUE

1A

Unit 7, North Heath Industrial Estate, North Heath Lane, Horsham,  
 West Sussex. United Kingdom. RH12 5QE  
 email: info@chess-sys.com http://www.chess-dynamics.com  
 Tel: (+44)01403 249888 Fax: (+44)01403 249555



MATERIAL

SURFACE FINISH

SCALE 1: 2 @ A2

GENERAL TOLERANCES  
 LINEAR 2 DEC. PLACES  $\pm 0.1$   
 ALL OTHER DIMENSIONS  $\pm 0.25$   
 ANGULAR  $\pm 0.5^\circ$

DRAWN Robert

DATE 05/10/2010

DESIGN Robert

TITLE

VIPER PAN & TILT HEAD

PROJECT

RELEASED Robert

DRAWING No.

CD015-01-0000-00

A2