

Vortex 800



Radar Turntable System

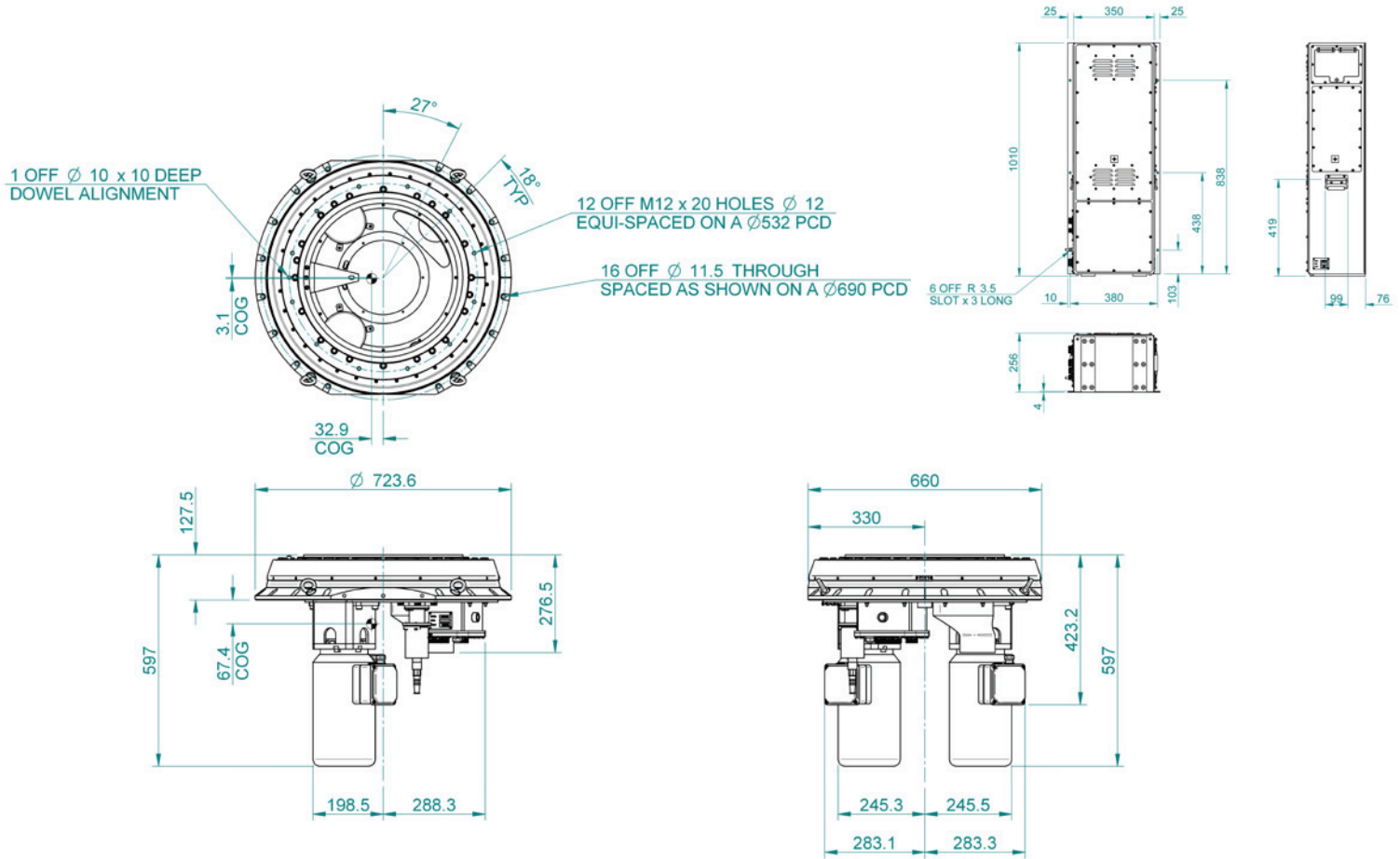
The **VORTEX 800** Turntable is specifically designed for today's multi-function 3D radar antenna payloads of mass up to 1000kg, and adjustable rotation speeds from 6 to 60 RPM. Dependent on application it can be supplied with AC induction motors or servomotors.

This turntable has a large clearance bore for fitment of customer specific RF and waveguide rotary joints. The **VORTEX 800** Turntable is very adaptable for all manner of specialist payloads other than radar, such as decoy launchers, radar trackers etc.

- Weight: 160-200Kg
- Payload capacity: 1000Kg
- 360° x n continuous rotation
- Optional DC servos available

For ground deployed, mobile or naval applications





Vortex 800 Specification	
Performance	
Antenna Mass (wind load and shock level dependent)	1000Kg
Platform Mass	160-200Kg
Max Torque	1500Nm
RPM Range	5-60 RPM
Pre-selected speed stops	4 or 5
Start to full speed	5 secs
Full speed to stop	20 secs
Full speed to park	35 secs
Parking positions	0°, 90°, 180°, 270°
Rotation view from top	Clockwise
Environmental	
High Temperature	Operational: +49°C Storage: +71°C
Low temperature above decks	Operational: -40°C Storage: -57°C
Low temperature below decks	Operational: -10°C Storage: -57°C
Humidity	95% RH @ 40°C
Solar Radiation	1120 W/m ²
Snow & Ice	20Kg/m ² 20mm
Rain	50mm/h
Wind (antenna dependent)	Full performance: 35m/s Survival: 45m/s
Vibration	0.5 - 7Hz @ 0.2g - 6 hours 7 - 12Hz @ ±1mm - 6 hours 12 - 15Hz @ 0.6 - 6 hours
Shock	20g 11ms halfsine
EMC	Mil-Std 461C



Chess Dynamics designs and manufactures:

- Security and Surveillance Systems
- COTS, Military Systems
- Single & Multi-Axis Platforms & Directors
- Motion Stabilisation
- Tracking / Positioning
- Satellite Communications / Telecoms
- Optical / Vision Systems

Chess Dynamics prides itself on developing specialist electro-mechanical servo equipment and associated sensors to the highest standards using modern technology.

Why not let Chess Dynamics help you develop high performance systems that meet the stringent demands and specifications that are required in today's competitive international environment ?

For additional information or questions, please do not hesitate to contact us at the address below or visit our website.

