

THIRD ANGLE PROJECTION

1. REMOVE ALL BURRS AND SHARP EDGES
2. A RADIUS OR CHAMFER OF 0.2mm (MAX) IS PERMITTED IN THE CORNERS, HOLES & RECESSES

3. SURFACE FINISH N7 UNLESS OTHERWISE STATED
4. ALL DIMENSIONS ARE AFTER SPECIFIED FINISH
5. IF IN DOUBT ASK!

DRAWN TO BS 8888
DO NOT SCALE

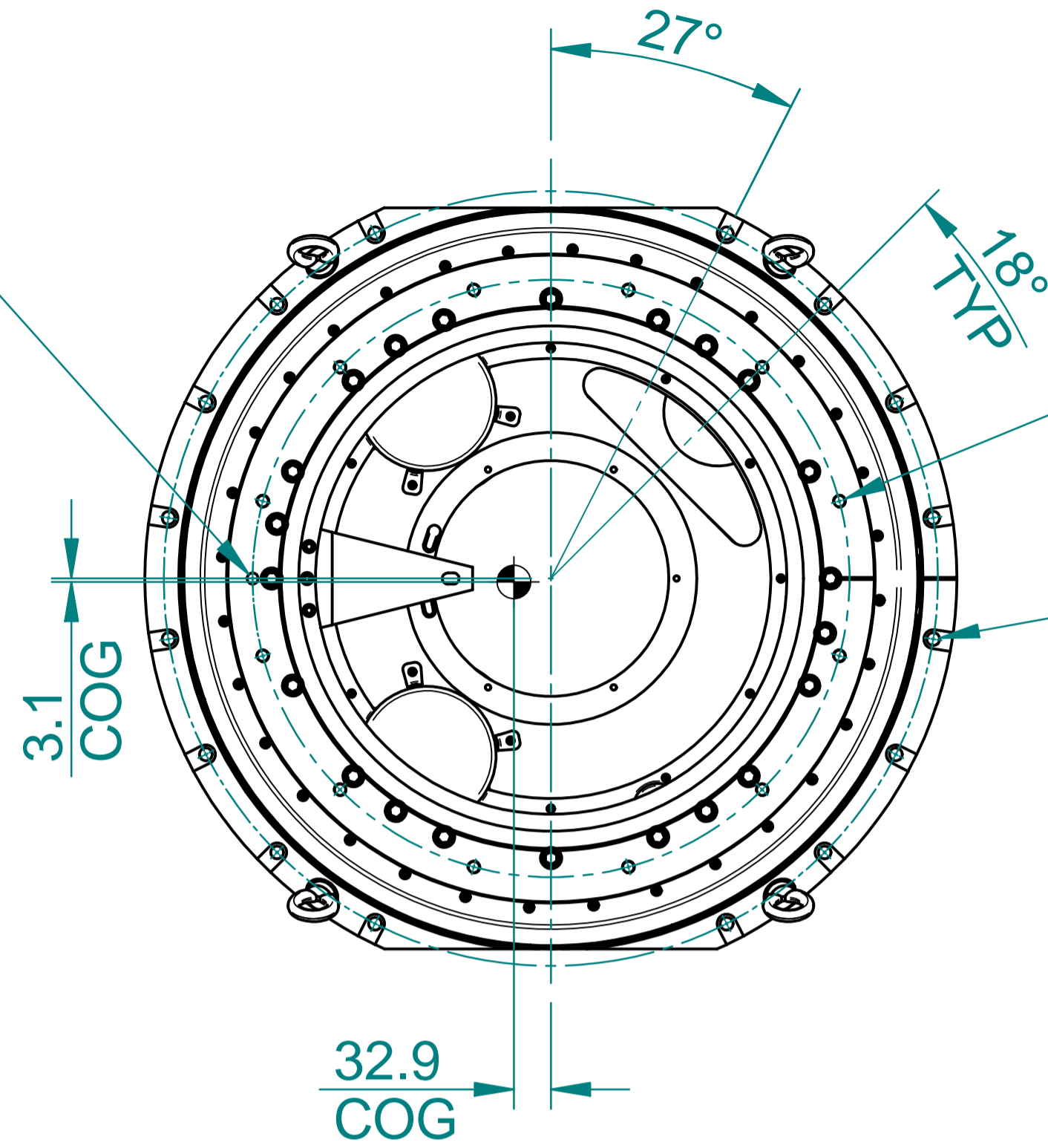
THIS DRAWING IS THE PROPERTY OF CHESS ENGINEERING SYSTEMS LIMITED AND SHALL NOT, IN PART OR IN WHOLE, WITHOUT OUR WRITTEN PERMISSION, BE COPIED, REPRODUCED IN ANY WAY, USED FOR MANUFACTURING, OR COMMUNICATED TO ANY OTHER PERSON OR COMPANY

IF IN DOUBT ASK

UNCONTROLLED WHEN PRINTED

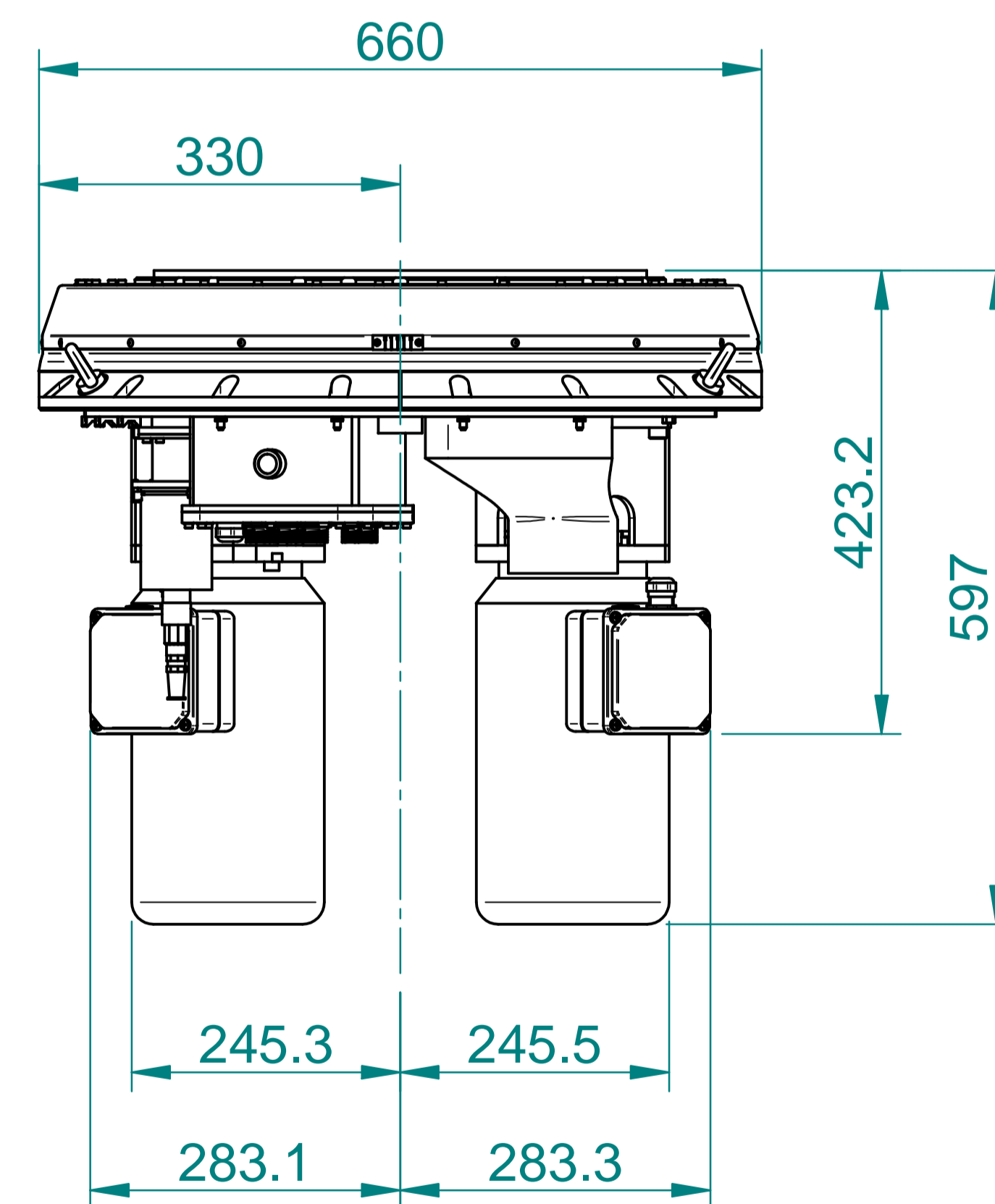
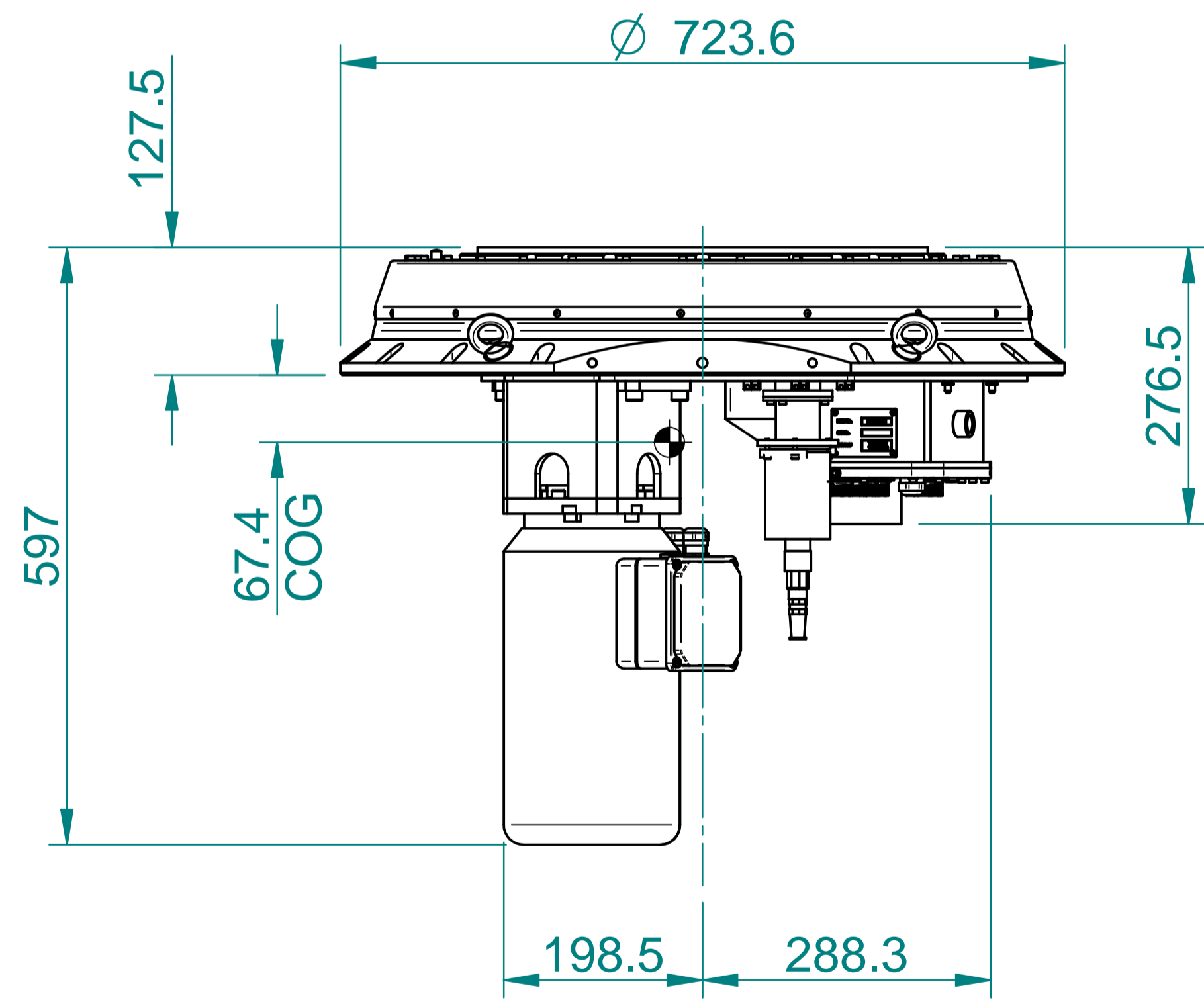
ALTERATIONS

1 OFF \varnothing 10 x 10 DEEP DOWEL ALIGNMENT



12 OFF M12 x 20 HOLES \varnothing 12 EQUI-SPACED ON A \varnothing 532 PCD

16 OFF \varnothing 11.5 THROUGH SPACED AS SHOWN ON A \varnothing 690 PCD



MASS : 190 Kg

Unit7, North Heath Industrial Estate, North Heath Lane, Horsham, West Sussex. United Kingdom. RH12 5QE
email:info@chess-sys.com http://www.chess-dynamics.com
Tel:(+44)01403 249888 Fax:(+44)01403 249555



MATERIAL

SURFACE FINISH

SCALE 1:2 @ A1

GENERAL TOLERANCES
LINEAR 2 DEC. PLACES ± 0.1
ALL OTHER DIMENSIONS ± 0.25
ANGULAR $\pm 0.5^\circ$

DRAWN RJF

DATE 01/09/2010

DESIGN

TITLE

Vortex 800 Turntable

PROJECT

RELEASED

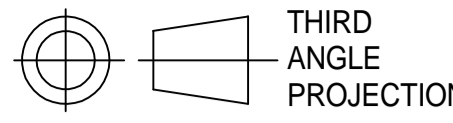
DRAWING No.

CDO**
Outline Drawing

A1

ISSUE

1A



THIRD ANGLE PROJECTION

1. REMOVE ALL BURRS AND SHARP EDGES
2. A RADIUS OR CHAMFER OF 0.2mm (MAX) IS PERMITTED IN THE CORNERS, HOLES & RECESSES

3. SURFACE FINISH N7 UNLESS OTHERWISE STATED
4. ALL DIMENSIONS ARE AFTER SPECIFIED FINISH
5. IF IN DOUBT ASK!

DRAWN TO BS 8888
DO NOT SCALE

THIS DRAWING IS THE PROPERTY OF CHESS ENGINEERING SYSTEMS LIMITED AND SHALL NOT, IN PART OR IN WHOLE, WITHOUT OUR WRITTEN PERMISSION, BE COPIED, REPRODUCED IN ANY WAY, USED FOR MANUFACTURING, OR COMMUNICATED TO ANY OTHER PERSON OR COMPANY

IF IN DOUBT ASK

UNCONTROLLED WHEN PRINTED

ALTERATIONS

A

B

C

D

A

B

C

D

1 OFF $\varnothing 10 \times 20$ DEEP DOWEL ALIGNMENT

16 OFF $\varnothing 18$ THROUGH EQUI-SPACED ON A $\varnothing 960$ PCD

5.9 COG

12 OFF M12 x 30 HOLES $\varnothing 12$ EQUI-SPACED ON A $\varnothing 532$ PCD

90.8 COG

178.5

64.9 COG

837

417

$\varnothing 1000$

308.5

182

140

MASS : 160-200Kg

Unit7, North Heath Industrial Estate, North Heath Lane, Horsham, West Sussex. United Kingdom. RH12 5QE
email:info@chess-sys.com http://www.chess-dynamics.com
Tel:(+44)01403 249888 Fax:(+44)01403 249555



MATERIAL

SURFACE FINISH

SCALE 1:2 @ A1

GENERAL TOLERANCES
LINEAR 2 DEC. PLACES ± 0.1
ALL OTHER DIMENSIONS ± 0.25
ANGULAR $\pm 0.5^\circ$

DRAWN RJF

DATE 01/09/2010

DESIGN

TITLE
Vortex 1000 Turntable

PROJECT

RELEASED

DRAWING No.

CD008-01-0100-00
Outline Drawing

A1

ISSUE

1A