

Large & heavy payloads



Long range surveillance



Accurate antenna positioning



Zeta



Tracking & Surveillance Platform

The ZETA Platform is a direct drive dual axis platform, and it's heavy duty design with high powered positioning and tracking capabilities make it an ideal multi purpose platform. ZETA has been specifically designed with accurate control and positioning of radar, communications, and ultra long range surveillance in mind, but is also well equipped for vehicle based fire control applications as well.

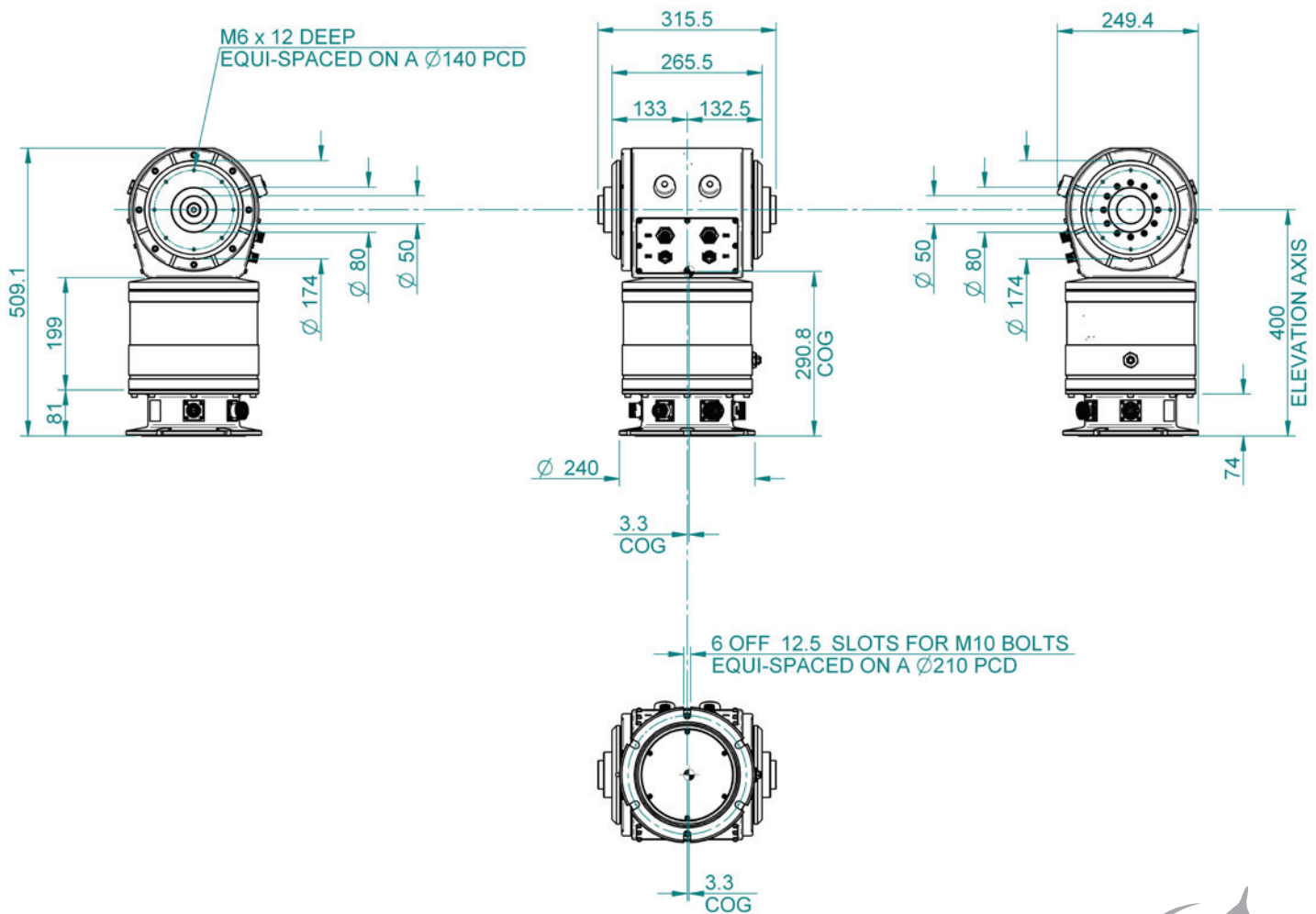
ZETA offers our customers outstanding payload versatility, toughness and reliability due to its backlash free servo gearboxes, dual speed encoders, brushless servo motors and integral servo control electronics.

ZETA has been used successfully in many demanding applications ranging from mast mounted long range coastal and boarder surveillance to specialist antenna tracking systems.

- Heavy duty design and build
- Payload capacity of 100Kg
- 360° x n continuous rotation, limited rotation also available
- Provides accurate control & positioning for radar & long range sensors
- Stabilised versions available
- In service units in coastal/boarder control environments

Direct drive platform for high accuracy Land or Maritime applications





Zeta Specifications

Performance

Platform Mass	37Kg	
Payload Mass	Dynamic: 60Kg Static	Balanced: 100Kg
Azimuth	Rotation	360° x n Continuous
	Slewing Speed	80°/sec
	Pointing Accuracy	0.01°
Elevation	Rotation	Endstops: -15° to +85°
		Software: -10° to +80°
	Speed	80°/s
	Pointing Accuracy	0.01°

Electrical

Power Supply	24-48V DC
Communications	RS422

Environmental	Standard	Enhanced	Military
Vibration	-	5-20Hz @ 1mm displacement	3-33Hz @ 0.125mm displacement
Shock (@ 60Kgs balanced payload in Az. & El.)	3g	6g 25ms @ ½ sinewave pulse vertical	30g 25ms @ ½ sinewave pulse horiz. & vert.
Low Temp.	0°C	-10°C (with heaters)	-30°C (with heaters)
High Temp.	+50°C	+55°C	+70°C
Storage Temp.	-20°C to +70°C		
Humidity	80%RH	100%RH	
Icing	Frost covering only	3mm thickness (operational only)	6mm thickness (all conditions)
EMC	CE	Mil Std 461E (Re02, Ce03, RS03)	



Chess Dynamics designs and manufactures:

- Security and Surveillance Systems
- COTS, Military Systems
- Single & Multi-Axis Platforms & Directors
- Motion Stabilisation
- Tracking / Positioning
- Satellite Communications / Telecoms
- Optical / Vision Systems

Chess Dynamics prides itself on developing specialist electro-mechanical servo equipment and associated sensors to the highest standards using modern technology.

Why not let Chess Dynamics help you develop high performance systems that meet the stringent demands and specifications that are required in today's competitive international environment ?

For additional information or questions, please do not hesitate to contact us at the address below or visit our website.

Chess Dynamics Ltd.

Quadrant House, North Heath Business Park, North Heath Lane, Horsham, West Sussex, RH12 5QE, UK
Tel: +44 (0)1403 249 888, Fax: +44 (0)1403 249 555, www.chess-dynamics.com

We reserve the right to change specifications without prior notice. Trademark and patent applied for. © Copyright 2011 Chess Dynamics Ltd

