



GRIP Epsilon

General-purpose Rugged Integrated Processor Convection Cooled

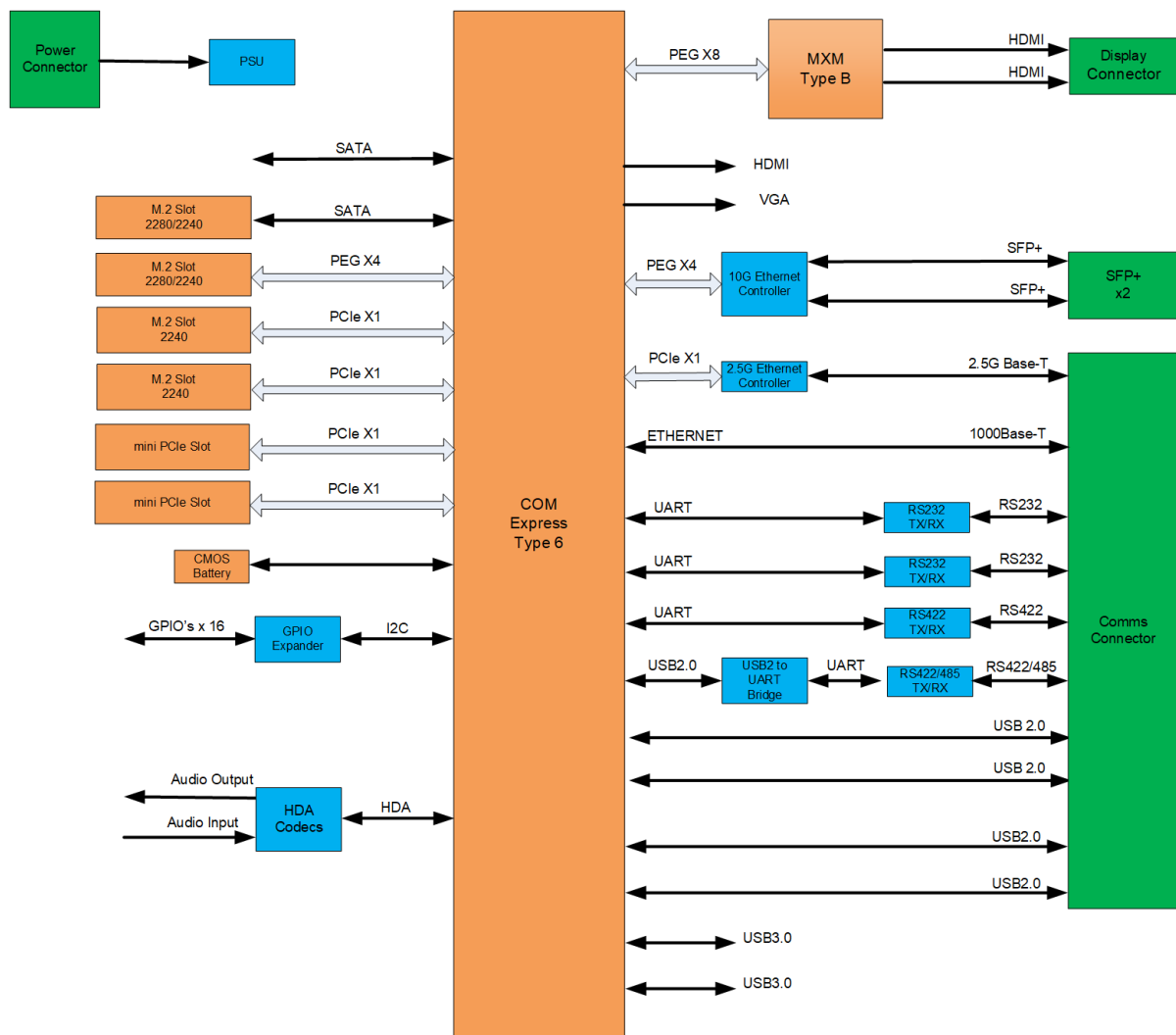
The GRIP Epsilon is a high-performance rugged embedded computer system which is targeted at applications which require a multicore Intel CPU along with a discrete GPU and flexible I/O.

A range of M.2 and Mini PCIe expansion slots are provided to support customisation of the I/O to the GRIP Epsilon. This includes support for video frame grabbers for high definition-analogue and digital video.

Two optional 10G Ethernet ports are also available.

The GRIP Epsilon is designed for operation in harsh environments and is robust to mechanical shock and vibration. The electronics are contained in a chassis which is sealed to IP67. The unit has an extended operating temperature range with options for convection, conduction or forced air cooling.

The GRIP Epsilon is fully compatible with the Vision4ce FrameWorkx image processing software.



Hardware

- 11th gen Intel Core i7 Multi Core Processor
- Up to 64GB RAM
- Up to 1TB SSD
- MXM GPU (NVIDIA RTX A1000 Default)

I/O Connections

- Display – 2x HDMI
- Serial – 1x RS422 / 485 – 2x RS232
- USB – 4x USB 2.0
- Ethernet – 2x 10/100/1000Base-T
- Ethernet - 2x10G Base SR (Optional)

Cooling

- Natural convection cooling
- Conduction or forced air cooled variants available

Power

- Power – DC 18V to 32V (MIL-STD-1275D)
- Power consumption – 70 to 140W (GPU dependent)

Operating Systems

- Microsoft Windows
- Ubuntu Linux

Mechanical

- Weight 15.4lbs, 7.0kg
- Dimensions 10.83” (d) x 9.44” (w) x 4.37” (h) (275 mm x 240mm x 111mm), excluding connectors

Expansion

- 2 x M.2 Slot 2240
- 2 x M.2 Slot 2280
- 2 x Mini PCIe